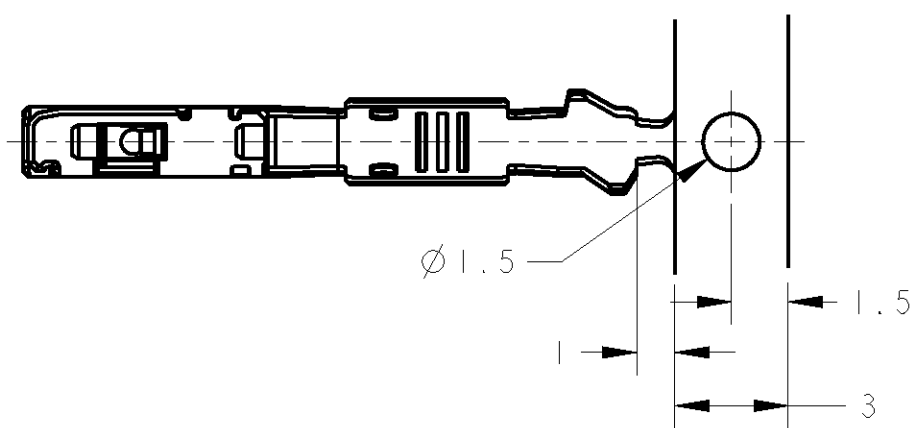
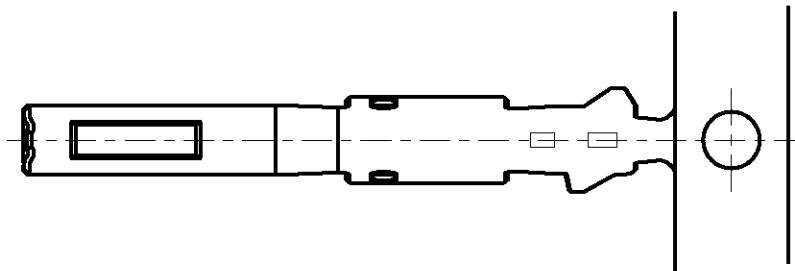
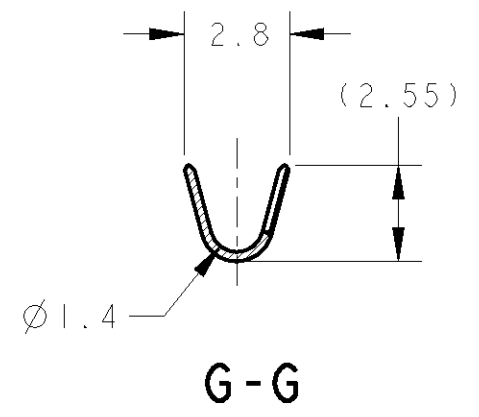
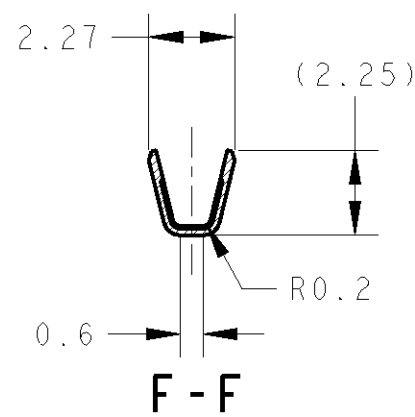
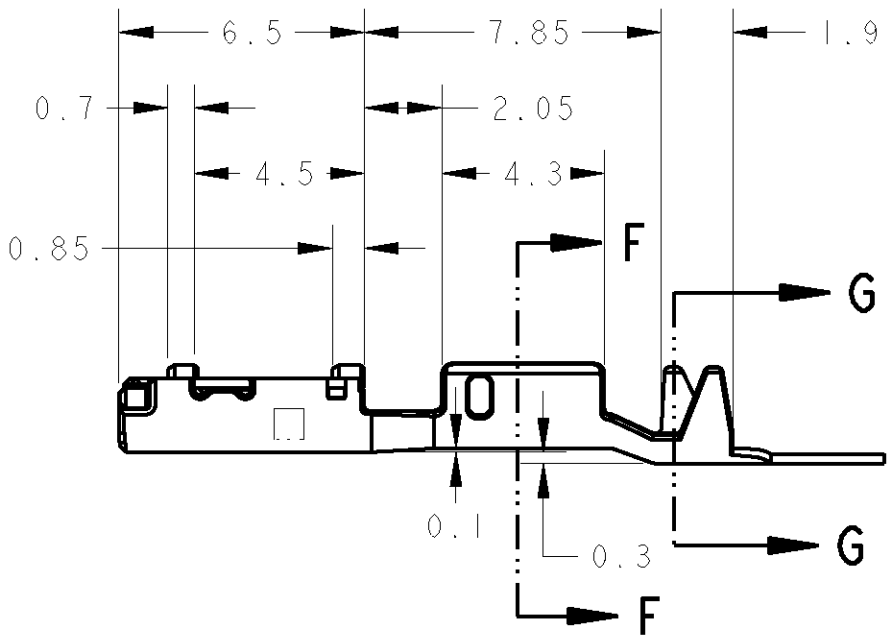
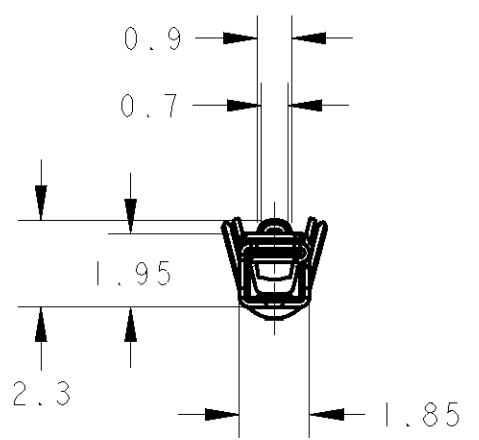


THIS DRAWING IS UNPUBLISHED. RELEASED FOR PUBLICATION 20
 © COPYRIGHT 20 BY TYCO ELECTRONICS CORPORATION. ALL RIGHTS RESERVED.

LOC	DIST	REVISIONS					
		P	LTR	DESCRIPTION	DATE	DWN	APVD
-	-		A	RELEASED	09OCT09	K.S	Y.F



AS SHOWN: -1
 本図: -1



1. APPLICABLE WIRE RANGE:
 AESSX/AVSSH 0.5-0.75mm²
 AVSS 0.5-0.85mm²
 2. APPLICATER FEED: 10.2mm
1. 適用電線:
 AESSX/AVSSH 0.5~0.75mm²
 AVSS 0.5~0.85mm²
 2. アプリケータ送りピッチ: 10.2mm

THIS DRAWING IS A CONTROLLED DOCUMENT FOR TYCO ELECTRONICS CORPORATION
 IT IS SUBJECT TO CHANGE AND THE CONTROLLING ENGINEERING ORGANIZATION
 SHOULD BE CONTACTED FOR THE LATEST REVISION.

DIMENSIONS: 単位: ㎜ mm	TOLERANCES UNLESS OTHERWISE SPECIFIED: 一般公差 ±0.3 0-PLC ± 1-PLC ±0.5 2-PLC ±0.13 3-PLC ±0.013 4-PLC ±0.001 ANGLES ±3'00"
----------------------------	--

MATERIAL 材料 Cu Alloy FINISH 仕上 PRE-TIN

DWN	K. SHIGA	09OCT09
CHK	E. SASAKI	09OCT09
APVD	Y. FUJIWARA	09OCT09
PRODUCT SPEC	製品規格	108-78718
APPLICATION SPEC	取付適用規格	114-5470
WEIGHT	0.27 g	

WIRE RANGE 包合電線断面積	0.5-0.85mm ²	INSULATION DIA 被覆外径	φ1.6-φ1.9
Tyco Electronics		Tyco Electronics Kawasaki, Japan	
NAME 名称 SEALED 1.0 RECEPTACLE CONTACT S-SIZE			
SIZE	CAGE CODE	DRAWING NO 番号	RESTRICTED TO
A3	00779	1554723	-
CUSTOMER DRAWING		SCALE 尺度	5.1 SHEET OF REV A