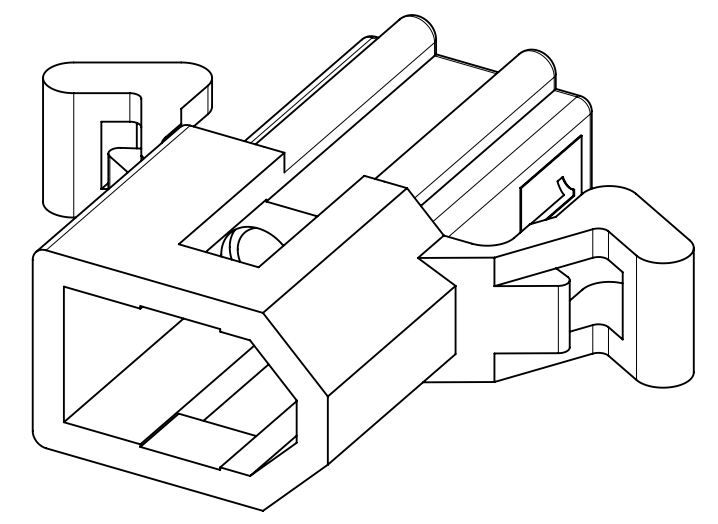
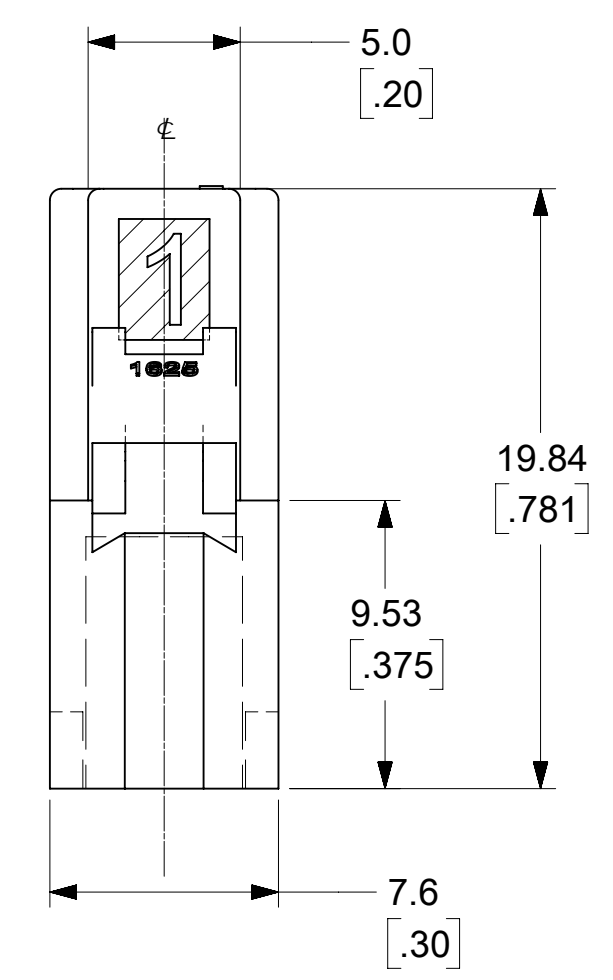
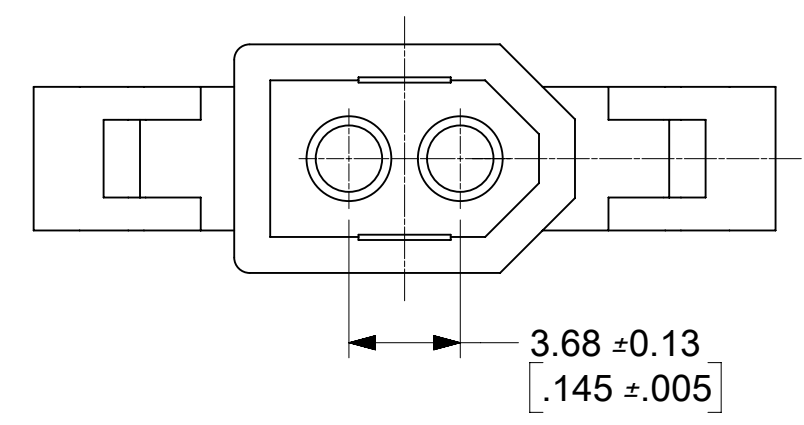
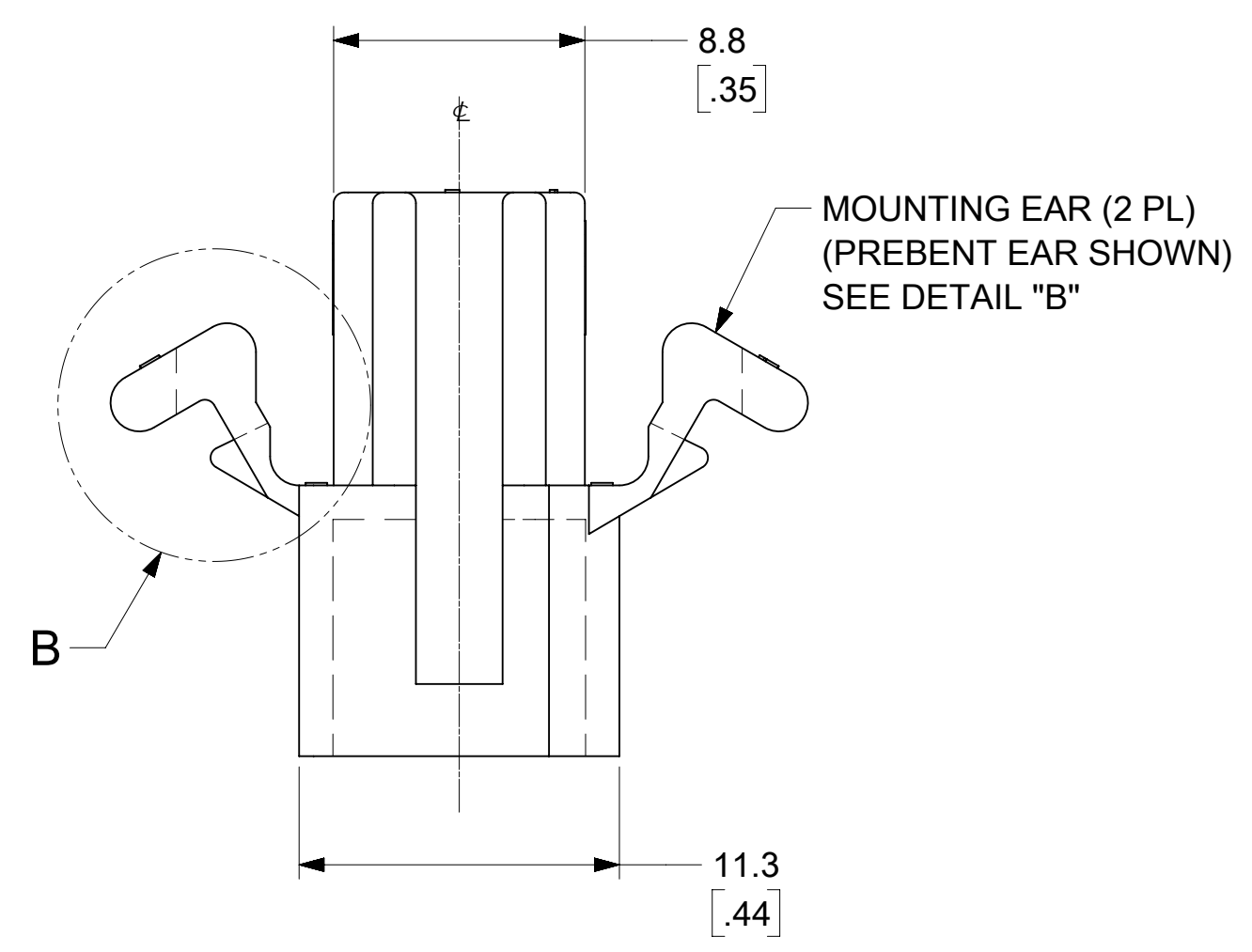
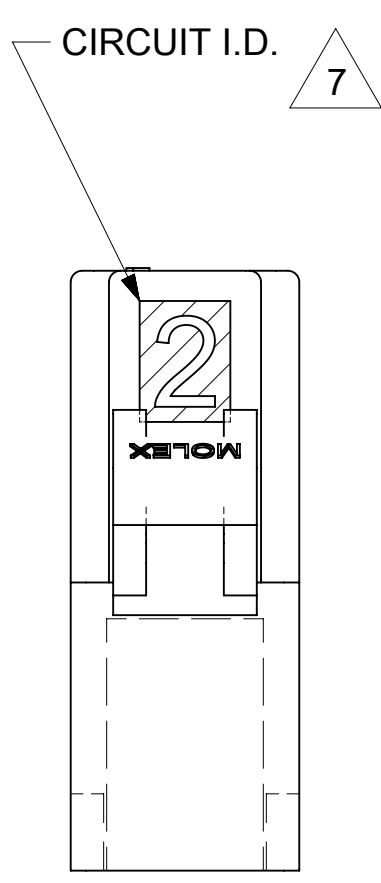


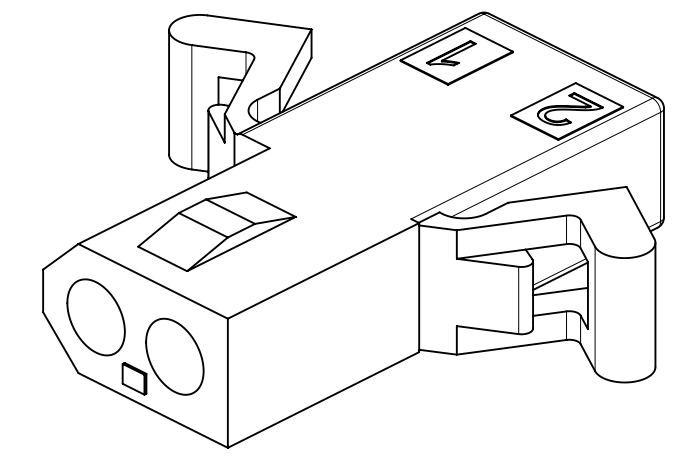
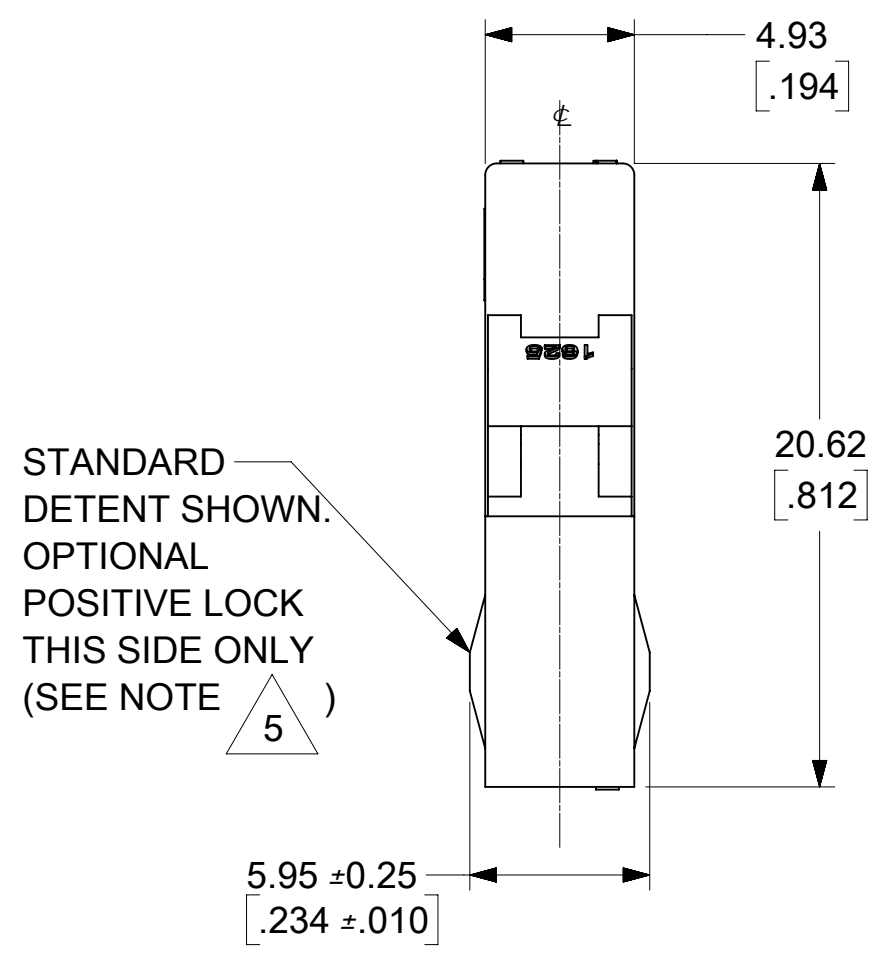
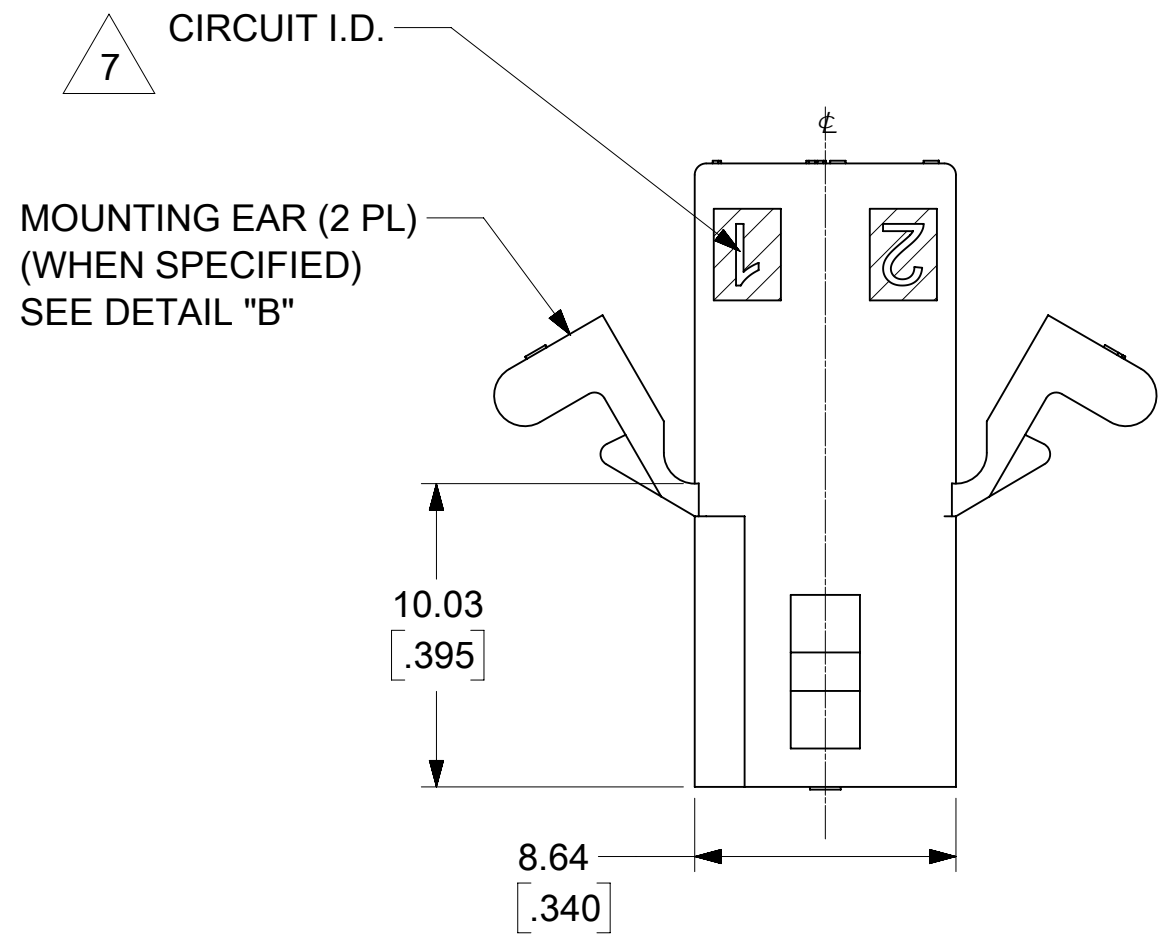
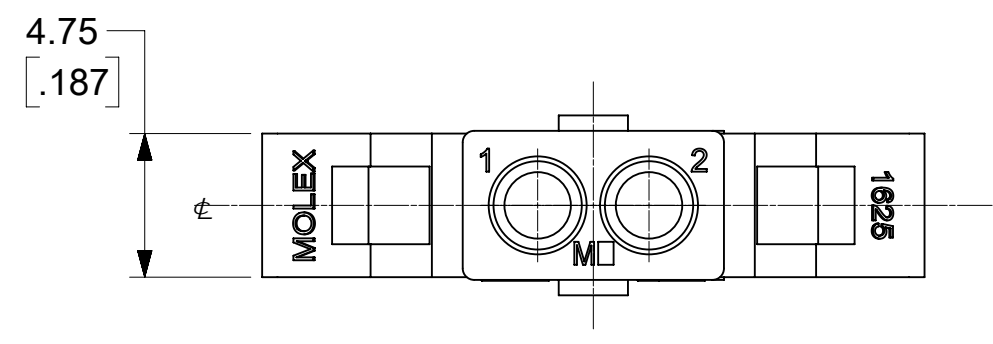
PLUG HOUSING WITH NO EARS



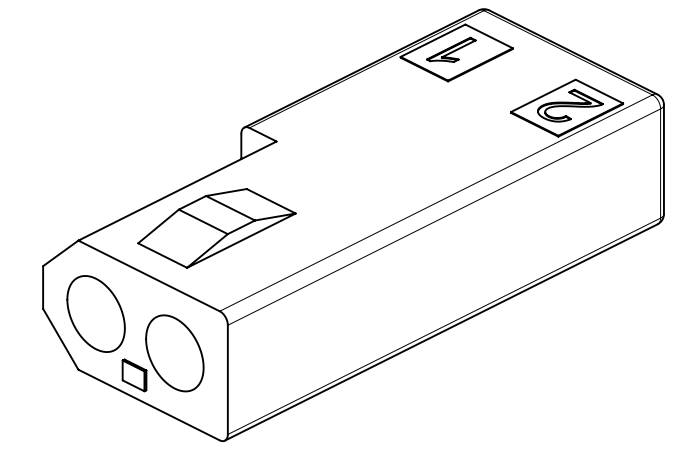
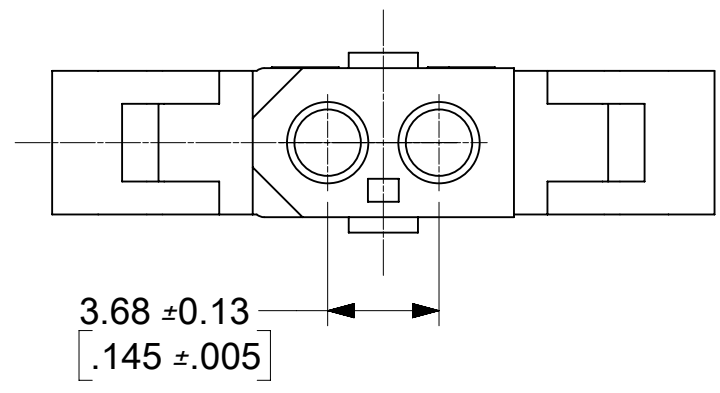
PLUG HOUSING WITH PREBENT EARS



<b>QUALITY SYMBOLS</b> ▽ = 0 ▽ = 0 ▽ = 0 ▽ = 0 ▽ = 0 ▽ = 0 ▽ = 0 ▽ = 0 ▽ = 0 ▽ = 0 ▽ = 0		THIS DRAWING CONTAINS INFORMATION THAT IS PROPRIETARY TO MOLEX ELECTRONIC TECHNOLOGIES, LLC AND SHOULD NOT BE USED WITHOUT WRITTEN PERMISSION		DIMENSION UNITS <b>MM/IN</b>		SCALE <b>4:1</b>																						
<b>REDRAWING IN NX</b> EC NO: 120335 DRWN: MKIPPER CHKD: MKIPPER REV / APPR: FSMITH		GENERAL TOLERANCES (UNLESS SPECIFIED) <table border="1"> <tr> <th></th> <th>MM</th> <th>INCH</th> </tr> <tr> <td>4 PLACES</td> <td>±</td> <td>±</td> </tr> <tr> <td>3 PLACES</td> <td>±</td> <td>± 0.007</td> </tr> <tr> <td>2 PLACES</td> <td>± 0.18</td> <td>± 0.01</td> </tr> <tr> <td>1 PLACES</td> <td>± 0.25</td> <td>±</td> </tr> <tr> <td>0 PLACES</td> <td>±</td> <td>±</td> </tr> </table>			MM	INCH	4 PLACES				±	±	3 PLACES	±	± 0.007	2 PLACES	± 0.18	± 0.01	1 PLACES	± 0.25	±	0 PLACES	±	±	DRWN BY <b>ZHARPER</b>		DATE <b>2017/06/20</b>	
	MM	INCH																										
4 PLACES	±	±																										
3 PLACES	±	± 0.007																										
2 PLACES	± 0.18	± 0.01																										
1 PLACES	± 0.25	±																										
0 PLACES	±	±																										
ANGULAR TOL = 1.0		CHK'D BY <b>MKIPPER</b>		DATE <b>2017/06/20</b>		<b>PRODUCT CUSTOMER DRAWING</b>																						
DRAFT WHERE APPLICABLE MUST REMAIN WITHIN DIMENSIONS		APPR BY <b>FSMITH</b>		DATE <b>2017/06/30</b>					SERIES: 1625 MATERIAL NUMBER: SEE CHART CUSTOMER:																			
<b>A</b>		DRAWING SIZE <b>C</b>		THIRD ANGLE PROJECTION		DOCUMENT NUMBER: 16250200-SD DOC TYPE: PSD DOC PART: 000 SHEET NUMBER: 1 OF 3																						



RECEPTACLE HOUSING  
(1625-2R2 SHOWN)



RECEPTACLE HOUSING  
(1625-2R3 SHOWN)

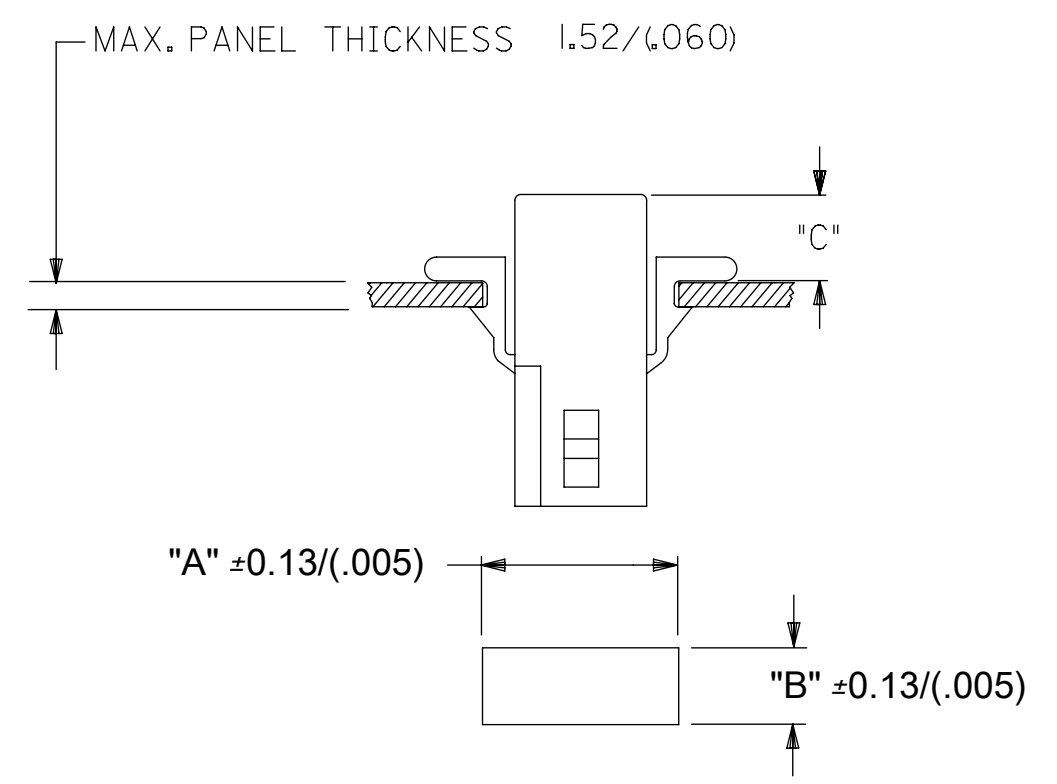
QUALITY SYMBOLS		THIS DRAWING CONTAINS INFORMATION THAT IS PROPRIETARY TO MOLEX ELECTRONIC TECHNOLOGIES, LLC AND SHOULD NOT BE USED WITHOUT WRITTEN PERMISSION										
▽ = 0	▽ = 0	REDRAWING IN NX EC NO: 120335 DRWN: MKIPPER CHKD: MKIPPER REV / APPR: FSMITH	GENERAL TOLERANCES (UNLESS SPECIFIED)				DIMENSION UNITS	SCALE	<b>molex</b>			
▽ = 0	▽ = 0		MM		INCH		MM/IN	4:1				
▽ = 0	▽ = 0		4 PLACES	±	±	DRWN BY	DATE	.062 2CKT PLUG AND RECEPTACLE HOUSING				
▽ = 0	▽ = 0		3 PLACES	±	± 0.007	ZHARPER	2017/06/20					
▽ = 0	▽ = 0		2 PLACES	± 0.18	± 0.01	CHK'D BY	DATE	PRODUCT CUSTOMER DRAWING				
▽ = 0	▽ = 0		1 PLACES	± 0.25	±	MKIPPER	2017/06/20					
▽ = 0	▽ = 0	0 PLACES	±	±	APPR BY	DATE	SERIES MATERIAL NUMBER CUSTOMER					
▽ = 0	▽ = 0	ANGULAR TOL = 1.0		DRAWING SIZE		THIRD ANGLE PROJECTION					1625	SEE CHART
▽ = 0	▽ = 0	DRAFT WHERE APPLICABLE MUST REMAIN WITHIN DIMENSIONS				C		DOCUMENT NUMBER		DOC TYPE	DOC PART	SHEET NUMBER
▽ = 0	▽ = 0	A		REV / APPR: FSMITH		C		16250200-SD		PSD	000	2 OF 3

PLUG	
PART NO.	ENG. NO.
03-06-7023	1625-2P1BK
03-06-2023	1625-2P1
03-06-2024	1625-2P2

**PLUG LEGEND:**  
 1625-2P \*\*  
 CIRCUIT SIZE  
 P = PLUG  
 1 = WITHOUT MOUNTING EARS  
 2 = WITH PREBENT MOUNTING EARS  
 BLANK = NATURAL  
 BK = BLACK

RECEPTACLE	
PART NO.	ENG. NO.
03-06-6023	1625-2R1BK
03-06-1023	1625-2R1
03-06-1022	1625-2R2

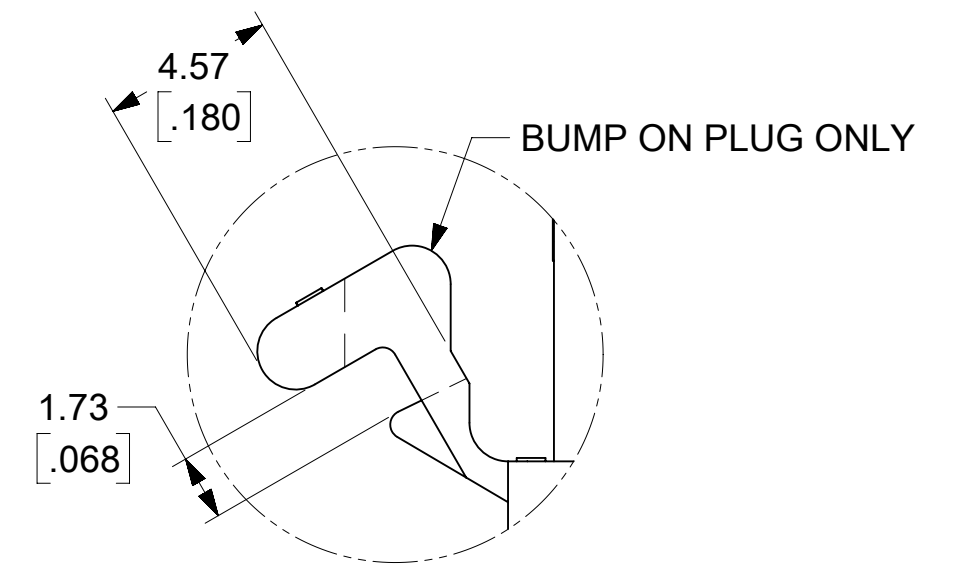
**RECEPTACLE LEGEND:**  
 1625-2R \*\*  
 CIRCUIT SIZE  
 R = RECEPTACLE  
 1 = WITHOUT MOUNTING EARS; WITH DETENTS  
 2 = WITH PREBENT MOUNTING EARS; WITH DETENTS  
 BLANK = NATURAL  
 BK = BLACK



"A"  $\pm 0.13/(.005)$   
 "B"  $\pm 0.13/(.005)$   
 "C"

**RECOMMENDED HOLE PATTERN**  
 (NOT TO SCALE)

HOUSING	DIM. "A"	DIM. "B"	PREBENT EAR DIM. "C"	STD. EAR DIM. "C"
PLUG	15.47 [.609]	8.08 [.318]	6.0 [.24]	6.1 [.24]
RECEPTACLE	12.83 [.505]	6.73 [.265]	6.4 [.25]	6.4 [.25]



**DETAIL B**  
 SCALE 5:1

- NOTES:**
1. MATERIAL - NYLON TYPE 6/6, 94V-2
  2. FINISH: NONE
  3. PRODUCT SPECIFICATION: PS-02-06
  4. PACKAGING SPECIFICATION: PK-1625-003.
  5. HOUSING FOR USE WITH MOLEX .062/(1.57) DIA. SERIES TERMINALS.
  6. CIRCUIT I.D. NUMBERS ON SIDE OF HOUSING APPEAR ON PARTS FROM TOOLS BUILT AFTER 07/01/1991.
  7. THIS PART CONFORMS TO CLASS B REQUIRMENTS OF COSMETIC SPECIFICATION PS-45499-002.
  8. THIS DRAWING REPLACES SD-1625-2\*.

THIS DRAWING CONTAINS INFORMATION THAT IS PROPRIETARY TO MOLEX ELECTRONIC TECHNOLOGIES, LLC AND SHOULD NOT BE USED WITHOUT WRITTEN PERMISSION											
<b>QUALITY SYMBOLS</b> 	<b>REDRAWING IN NX</b> EC NO: 120335 DRWN: MKIPPER CHKD: MKIPPER REV / APPR: FSMITH	GENERAL TOLERANCES (UNLESS SPECIFIED)		DIMENSION UNITS <b>MM/IN</b>	SCALE <b>4:1</b>						
				DRWN BY <b>ZHARPER</b>	DATE <b>2017/06/20</b>						
				4 PLACES $\pm$	3 PLACES $\pm$	CHK'D BY <b>MKIPPER</b>	DATE <b>2017/06/20</b>	<b>.062 2CKT PLUG AND RECEPTACLE HOUSING</b>			
				2 PLACES $\pm 0.18$	1 PLACES $\pm 0.25$	APPR BY <b>FSMITH</b>	DATE <b>2017/06/30</b>				
				ANGULAR TOL = 1.0		DRAWING SIZE <b>C</b>	THIRD ANGLE PROJECTION	SERIES <b>1625</b>	MATERIAL NUMBER <b>SEE CHART</b>	CUSTOMER	
		DRAFT WHERE APPLICABLE MUST REMAIN WITHIN DIMENSIONS				DOCUMENT NUMBER <b>16250200-SD</b>	DOC TYPE <b>PSD</b>	DOC PART <b>000</b>	SHEET NUMBER <b>3 OF 3</b>		