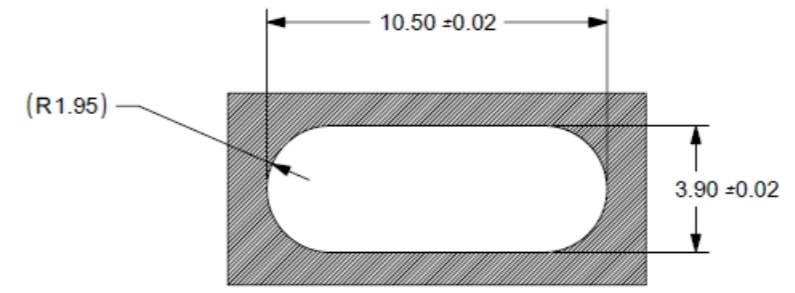
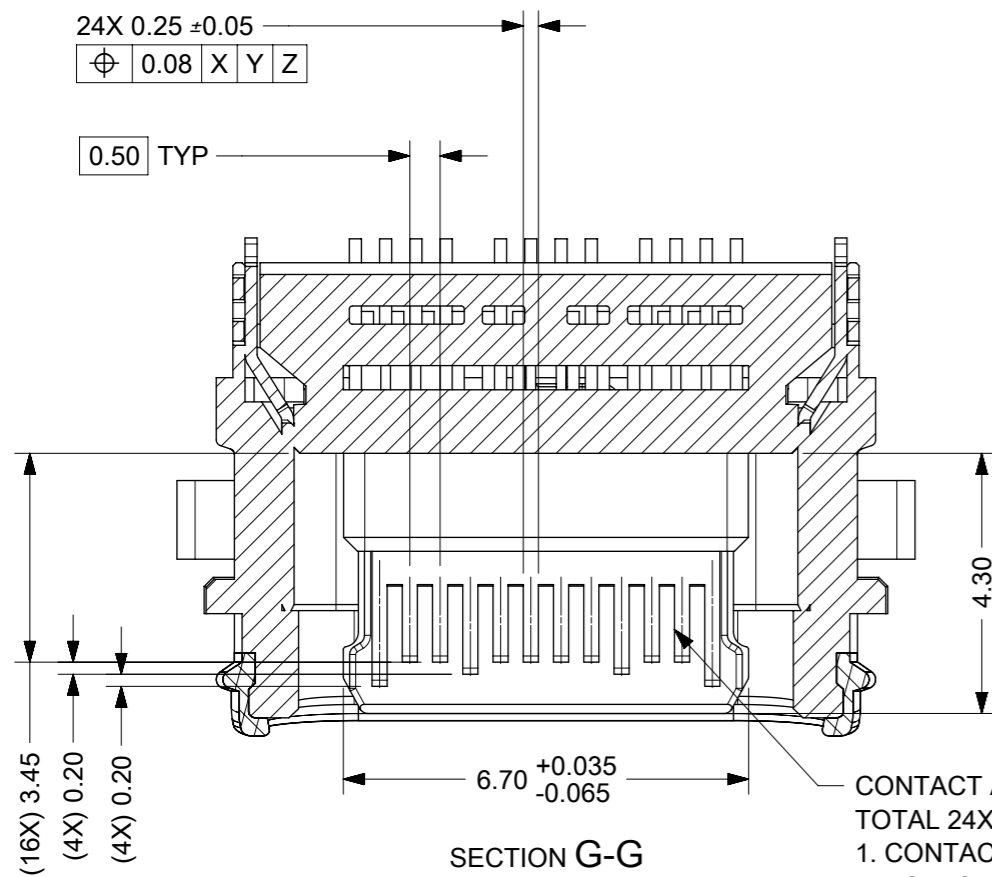


SYMBOLS	THIS DRAWING CONTAINS INFORMATION THAT IS PROPRIETARY TO MOLEX ELECTRONIC TECHNOLOGIES, LLC AND SHOULD NOT BE USED WITHOUT WRITTEN PERMISSION		CURRENT REV DESC:			molex		
	DIMENSION UNITS	SCALE						
$\nabla = 0$	mm	10:1	EC NO: 606478			PRODUCT CUSTOMER DRAWING		
$\nabla = 0$	GENERAL TOLERANCES (UNLESS SPECIFIED)		DRWN: RLI09 2018/10/24			DOCUMENT NUMBER		
$\nabla = 0$	ANGULAR TOL $\pm 3.0^\circ$		CHK'D: RZHANG 2018/10/24			DOC TYPE DOC PART REVISION		
$\nabla = 0$	4 PLACES \pm		APPR: RZHANG 2018/10/24			2024100001 PSD 000 F1		
$\nabla = 0$	3 PLACES \pm		INITIAL REVISION:			MATERIAL NUMBER		
$\nabla = 0$	2 PLACES ± 0.2		DRWN: RLI09 2016/08/17			CUSTOMER		
$\nabla = 0$	1 PLACE ± 0.2		APPR: RZHANG 2016/09/14			SHEET NUMBER		
$\nabla = 0$	0 PLACES \pm		DRAFT WHERE APPLICABLE MUST REMAIN WITHIN DIMENSIONS			2024100002		
$\nabla = 0$	THIRD ANGLE PROJECTION		DRAWING		SERIES		1 OF 5	
$\nabla = 0$			A3-SIZE		202410			

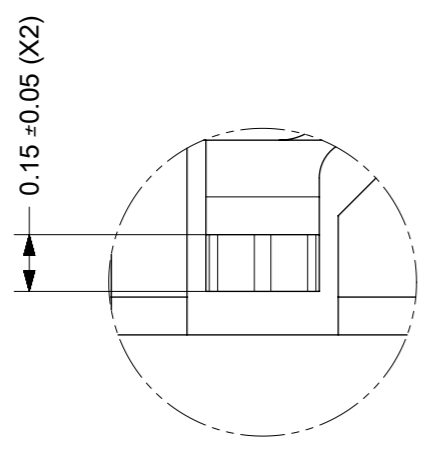


RECOMMENDED OPENING DIMENSIONS OF CASE MATING AREA WITH SEALING RING

- NOTES:
1. MATERIAL AND PLATING SEE TABLE
 2. PRODUCT SPEC REFER TO 2024100002
 3. PACKAGE SPEC REFER TO 2024100007
 4. SOLDER TAIL POSITION BE CONTROLLED BY GAUGE
 5. PRODUCT COMPLANT TO ROHS DIERTIVE 2011/65/EU AND ELV DIRECTIVE 2000/53/EC

CONTACT AREA PLATING:
 TOTAL 24X TERMINALS
 1. CONTACT SURFACE PLATED Au 0.75um MIN.
 2. BOTTOM AND TWO SIDE SURFACES PLATED GOLD FLASH

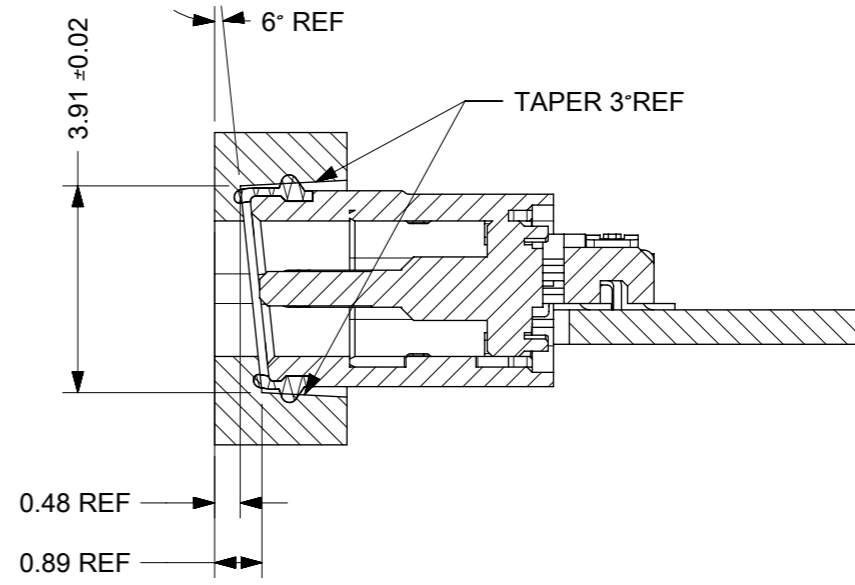
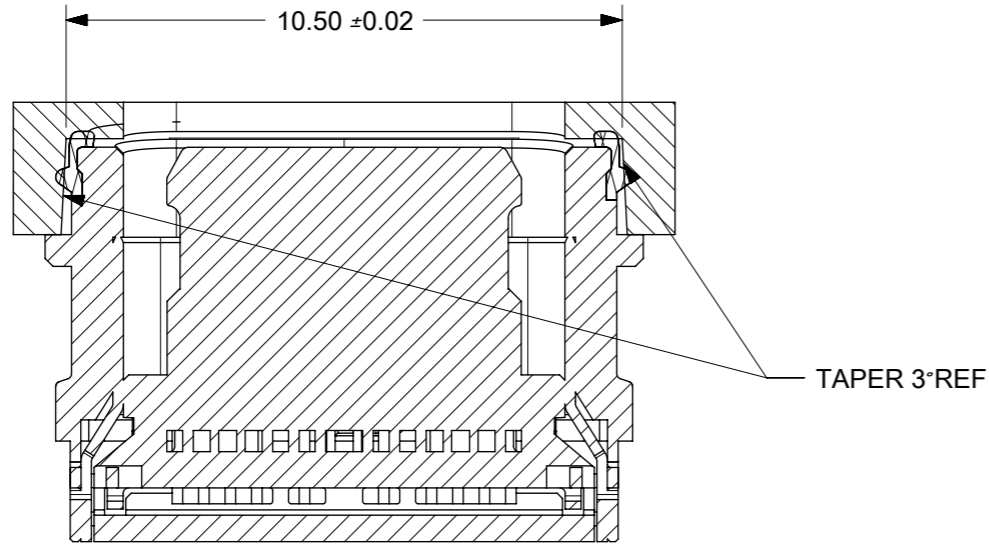
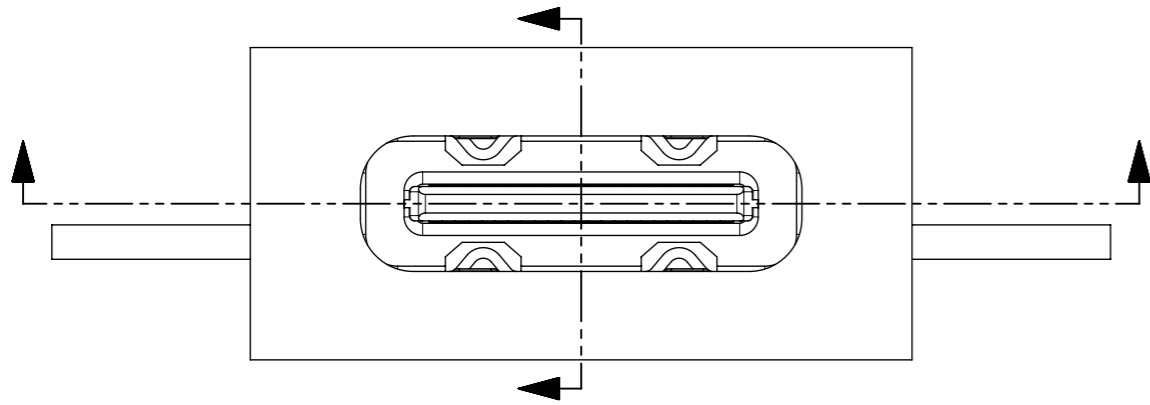
ITEM	PART NAME	MATERIAL	REMARK
1	L-TERMINAL	COPPER ALLOY	CONTACT AREA: DETAILS REFER TO DRAWING SOLDER TAIL: 0.025 MICROMETER MIN. GOLD PLATING UNDER PLATING: 2 MICROMETER MIN. NICKEL PLATING OVERALL
2	U-TERMINAL	COPPER ALLOY	
3	MID BLADE	STAINLESS STEEL	1 MICROMETR MIN. SOLDERABLE NICKEL PLATING OVERALL
4	I/M TONGUE	PLASTIC	COLOR: BLACK; UL94V-0
5	O/M RESIN SHELL	PLASTIC	COLOR: BLACK; UL94V-0
6	O/M METAL SHELL	STAINLESS STEEL	1 MICROMETR MIN. SOLDERABLE NICKEL PLATING OVERALL
7	MAIN SHELL	STAINLESS STEEL	1 MICROMETR MIN. SOLDERABLE NICKEL PLATING OVERALL
8	LIM	RUBBER	COLOR: BLACK;



DETAIL D
SCALE 50:1

SYMBOLS DIMENSION UNITS: mm SCALE: 1:1 GENERAL TOLERANCES (UNLESS SPECIFIED): ANGULAR TOL ± 3.0° 4 PLACES ± 3 PLACES ± 2 PLACES ± 0.2 1 PLACE ± 0.2 0 PLACES ± DRAFT WHERE APPLICABLE MUST REMAIN WITHIN DIMENSIONS THIRD ANGLE PROJECTION	THIS DRAWING CONTAINS INFORMATION THAT IS PROPRIETARY TO MOLEX ELECTRONIC TECHNOLOGIES, LLC AND SHOULD NOT BE USED WITHOUT WRITTEN PERMISSION		CURRENT REV DESC: EC NO: 606478 DRWN: RLI09 2018/10/24 CHK'D: RZHANG 2018/10/24 APPR: RZHANG 2018/10/24				
	PRODUCT CUSTOMER DRAWING						
	INITIAL REVISION: DRWN: RLI09 2016/08/17 APPR: RZHANG 2016/09/14		DOCUMENT NUMBER: 2024100001	DOC TYPE: PSD	DOC PART: 000	REVISION: F1	
	DRAFT WHERE APPLICABLE MUST REMAIN WITHIN DIMENSIONS		THIRD ANGLE PROJECTION	DRAWING: A3-SIZE	SERIES: 202410	MATERIAL NUMBER: 2024100002	CUSTOMER:

CONNECTOR VS MIAN CASE RELATIVE POSITION



THIS DRAWING CONTAINS INFORMATION THAT IS PROPRIETARY TO MOLEX ELECTRONIC TECHNOLOGIES, LLC AND SHOULD NOT BE USED WITHOUT WRITTEN PERMISSION									
SYMBOLS	DIMENSION UNITS	SCALE	CURRENT REV DESC:				molex		
	mm	7:1							
▽ = 0	GENERAL TOLERANCES (UNLESS SPECIFIED)		EC NO: 606478				24PIN TYPE C RECEPTACLE		
▽ = 0	ANGULAR TOL ± 3.0°		DRWN: RLI09 2018/10/24				PRODUCT CUSTOMER DRAWING		
▽ = 0	4 PLACES ±		CHK'D: RZHANG 2018/10/24				DOCUMENT NUMBER		
▽ = 0	3 PLACES ±		APPR: RZHANG 2018/10/24				2024100001		
▽ = 0	2 PLACES ± 0.2		INITIAL REVISION:				DOC TYPE		
▽ = 0	1 PLACE ± 0.2		DRWN: RLI09 2016/08/17				PSD		
▽ = 0	0 PLACES ±		APPR: RZHANG 2016/09/14				DOC PART		
□ = 0	DRAFT WHERE APPLICABLE MUST REMAIN WITHIN DIMENSIONS		THIRD ANGLE PROJECTION		DRAWING	SERIES	MATERIAL NUMBER	CUSTOMER	REVISION
▽ = 0			A3-SIZE		202410	2024100002		000	F1
						SHEET NUMBER		4 OF 5	

