

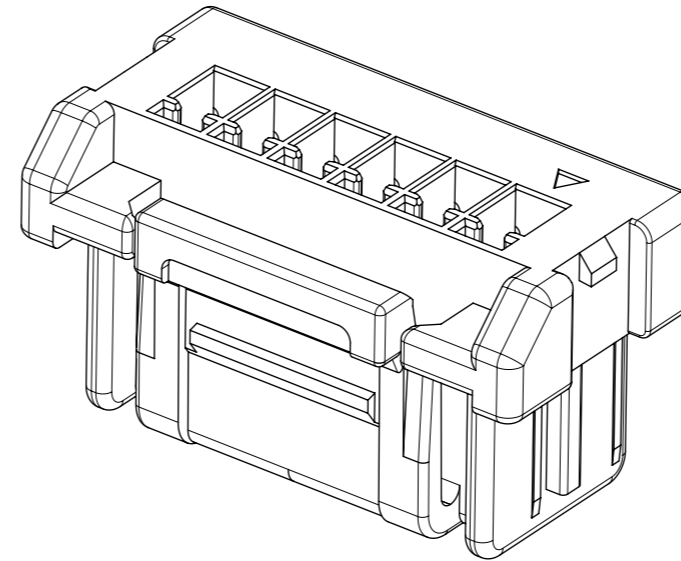
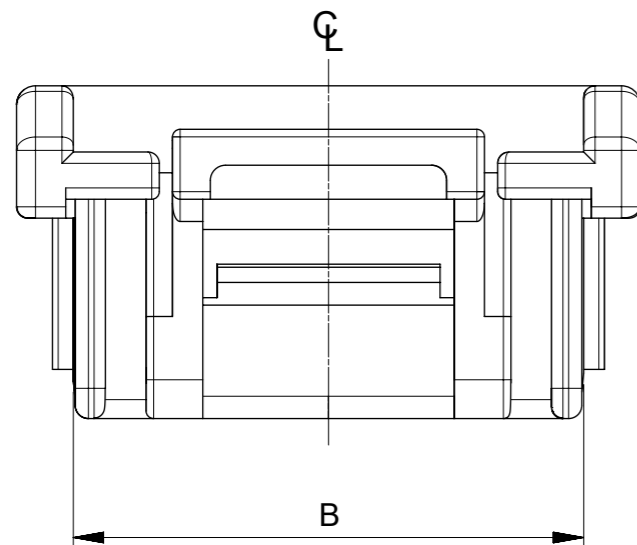
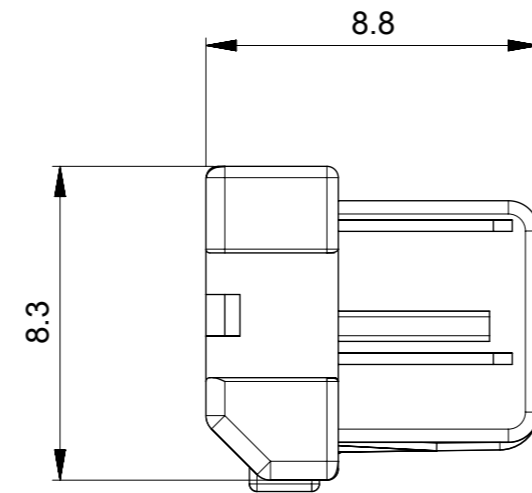
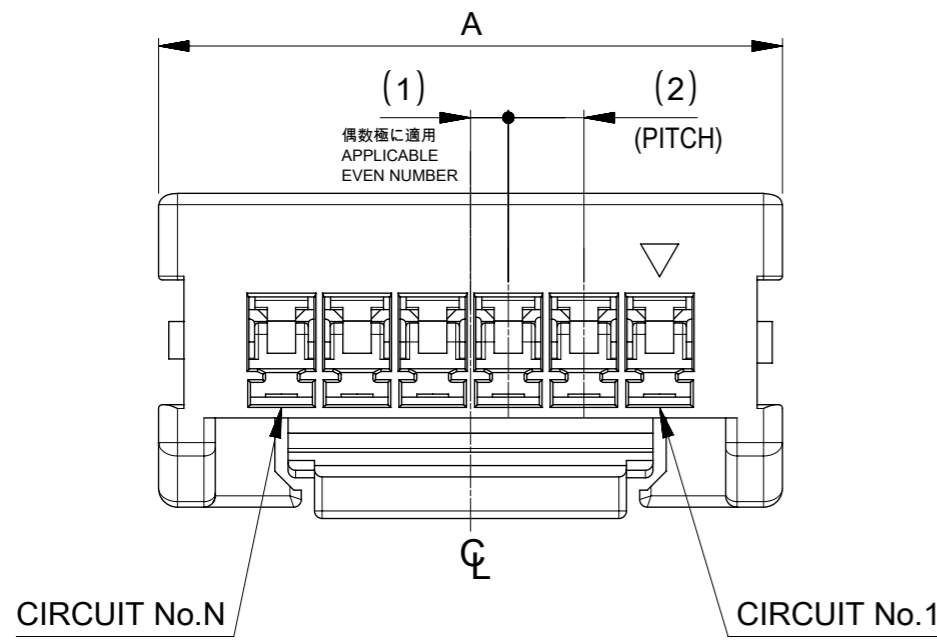
NOTES:

- 1.適合ターミナルシリーズ : 2011956000
APPLICABLE TERMINAL : 2011956000
- 2.嵌合相手 : 201201****
MATE WITH : 201201****
- 3.製品番号 MATERIAL NO.
201200 2 ** *

極数 ———— 色 キータイプ
CIRCUIT SIZE COLOR KEY TYPE

NO.	COLOR	KEY TYPE
0	NATURAL	1
1	BLACK	2
2	RED	3
3	YELLOW	4
4	BLUE	5

33.5	36.5	201200 216*	16
31.5	34.5	201200 215*	15
29.5	32.5	201200 214*	14
27.5	30.5	201200 213*	13
25.5	28.5	201200 212*	12
23.5	26.5	201200 211*	11
21.5	24.5	201200 210*	10
19.5	22.5	201200 209*	9
17.5	20.5	201200 208*	8
15.5	18.5	201200 207*	7
13.5	16.5	201200 206*	6
11.5	14.5	201200 205*	5
10.5	13.5	201200 204*	4
8.5	11.5	201200 203*	3
6.5	9.5	201200 202*	2
B	A	オーダー番号 ORDER NO.	極数 CIRCUIT NO.



THIS DRAWING CONTAINS INFORMATION THAT IS PROPRIETARY TO MOLEX ELECTRONIC TECHNOLOGIES, LLC AND SHOULD NOT BE USED WITHOUT WRITTEN PERMISSION

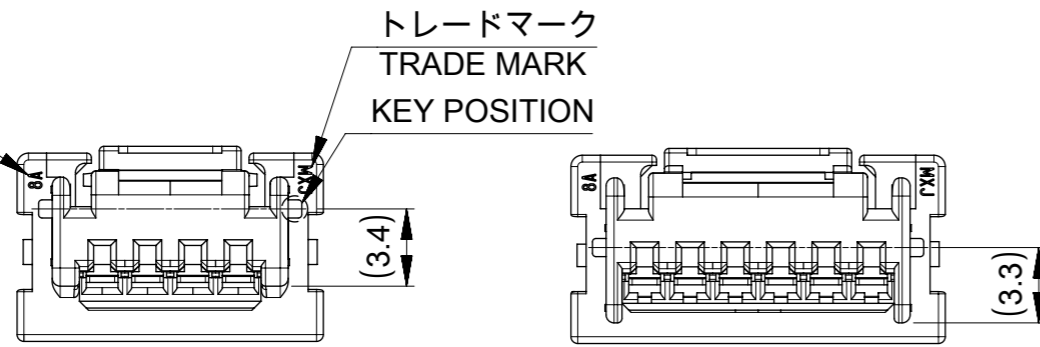
DIMENSION UNITS	SCALE	CURRENT REV DESC:		molex		
mm	NTS					
GENERAL TOLERANCES (UNLESS SPECIFIED)		EC NO: 602476		SPOT-ON 2.0W/B SINGLE ROW RECEPTACLE HOUSING		
ANGULAR TOL ± 3.0°		DRWN: TENAGASE 2018/08/07				
4 PLACES ±		CHK'D: KOMURAKAMI 2018/09/21		PRODUCT CUSTOMER DRAWING		
3 PLACES ±		APPR: TKANEKO 2018/09/25				
2 PLACES ±		INITIAL REVISION:		DOCUMENT NUMBER 2012002060-SD		
1 PLACE ± 0.2		DRWN: MHAYASHI 2017/08/15				
0 PLACES ± 0.2		APPR: TKANEKO 2017/08/24		MATERIAL NUMBER SEE SHEET 2		
DRAFT WHERE APPLICABLE MUST REMAIN WITHIN DIMENSIONS		THIRD ANGLE PROJECTION	DRAWING A3-SIZE			

部品 PART	材質 MATERIAL
ハウジング HOUSING	ポリエステル(PBT)、UL-94 V-0 POLYESTER(PBT)、UL-94 V-0

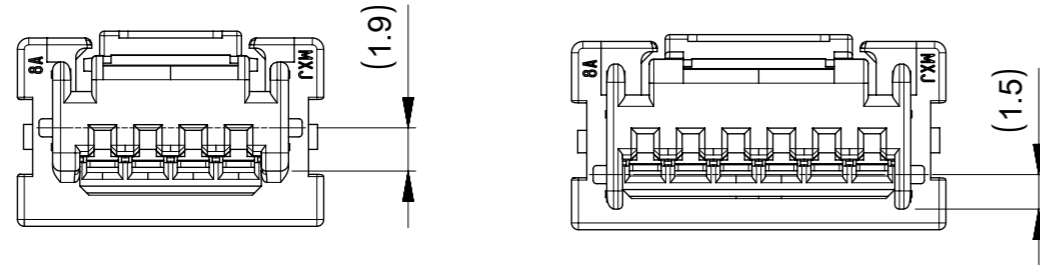
**MATING
KEY TYPE & COLOR**

キャビティ番号及び金型番号
CAVITY & MOLD NO.

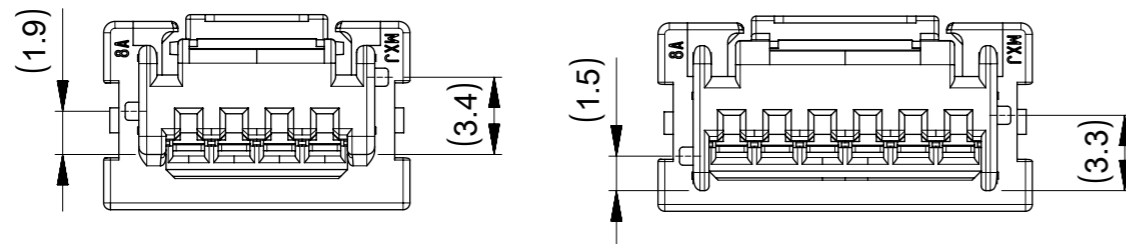
KEY TYPE:1
ORDER No.:2012002**0
COLOR:NATURAL



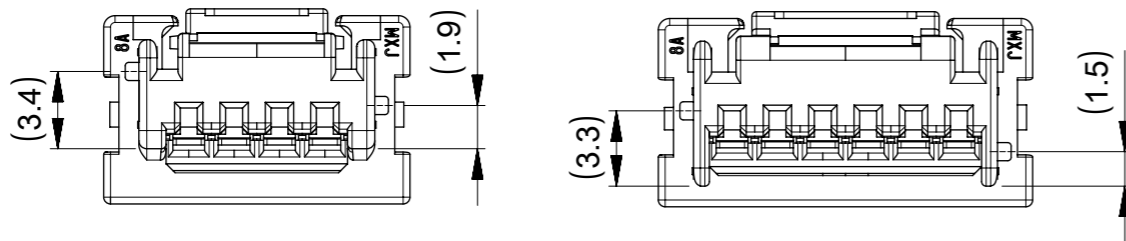
KEY TYPE:2
ORDER No.:2012002**1
COLOR:BLACK



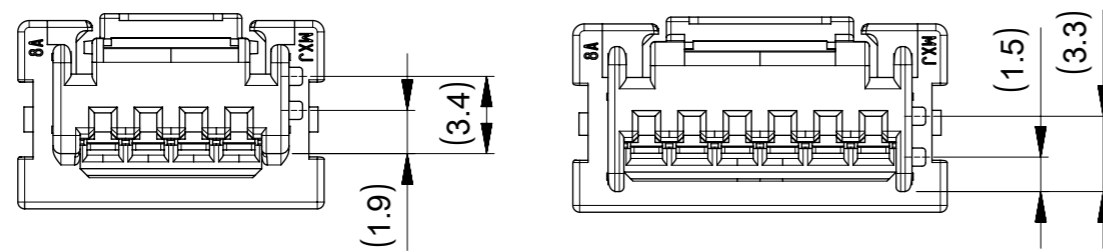
KEY TYPE:3
ORDER No.:2012002**2
COLOR:RED



KEY TYPE:4
ORDER No.:2012002**3
COLOR:YELLOW



KEY TYPE:5
ORDER No.:2012002**4
COLOR:BLUE



2~4CKT対応
FOR 2~4CKT

5~16CKT対応
FOR 5~16CKT

トレードマーク
TRADE MARK
KEY POSITION

NOTES:

- 本製品のプラスチック部に黒点等が確認される場合や、色合いが異なる場合が御座いますが、製品性能に影響は御座いません。
THERE IS NO INFLUENCE IN THE PRODUCT PERFORMANCE THOUGH THE BLACK SPOT ETC.
MIGHT BE CONFIRMED TO THE PLAXTIC PART OF THIS PRODUCT AND THE SHADE MIGHT BE DIFFERENT.
- 製品の取扱いについては、コネクタ取扱説明書(2011960000_PS_A00)を参照願います。
PLEASE REFER TO INSTRUCTION MANUAL(2011960000_PS_A00).

BLUE	YELLOW	RED	BLACK	NATURAL	HOUSING COLOR
201200 2164	201200 2163	201200 2162	201200 2161	201200 2160	16
201200 2154	201200 2153	201200 2152	201200 2151	201200 2150	15
201200 2144	201200 2143	201200 2142	201200 2141	201200 2140	14
201200 2134	201200 2133	201200 2132	201200 2131	201200 2130	13
201200 2124	201200 2123	201200 2122	201200 2121	201200 2120	12
201200 2114	201200 2113	201200 2112	201200 2111	201200 2110	11
201200 2104	201200 2103	201200 2102	201200 2101	201200 2100	10
201200 2094	201200 2093	201200 2092	201200 2091	201200 2090	9
201200 2084	201200 2083	201200 2082	201200 2081	201200 2080	8
201200 2074	201200 2073	201200 2072	201200 2071	201200 2070	7
201200 2064	201200 2063	201200 2062	201200 2061	201200 2060	6
201200 2054	201200 2053	201200 2052	201200 2051	201200 2050	5
201200 2044	201200 2043	201200 2042	201200 2041	201200 2040	4
201200 2034	201200 2033	201200 2032	201200 2031	201200 2030	3
201200 2024	201200 2023	201200 2022	201200 2021	201200 2020	2

ポリ袋 POLYBAG PACKAGE

オーダー番号 ORDER NO.

極数
CIRCUIT NO.

THIS DRAWING CONTAINS INFORMATION THAT IS PROPRIETARY TO MOLEX ELECTRONIC TECHNOLOGIES, LLC AND SHOULD NOT BE USED WITHOUT WRITTEN PERMISSION

DIMENSION UNITS mm	SCALE NTS	CURRENT REV DESC:		molex		
GENERAL TOLERANCES (UNLESS SPECIFIED)		EC NO: 602476				
ANGULAR TOL ± 3.0°	4 PLACES ±	DRWN: TENAGASE	2018/08/07	PRODUCT CUSTOMER DRAWING		
3 PLACES ±	2 PLACES ±	CHK'D: KOMURAKAMI	2018/09/21	DOCUMENT NUMBER		
1 PLACE ± 0.2	0 PLACES ± 0.2	APPR: TKANEKO	2018/09/25	2012002060-SD		
DRAFT WHERE APPLICABLE MUST REMAIN WITHIN DIMENSIONS		INITIAL REVISION:		DOC TYPE	DOC PART	REVISION
THIRD ANGLE PROJECTION		DRWN: MHAYASHI	2017/08/15	PSD	000	B
DRAWING		APPR: TKANEKO	2017/08/24	SHEET NUMBER		
A3-SIZE		SERIES	201200	2 OF 2		
MATERIAL NUMBER		CUSTOMER	SEE CHART	GENERAL		