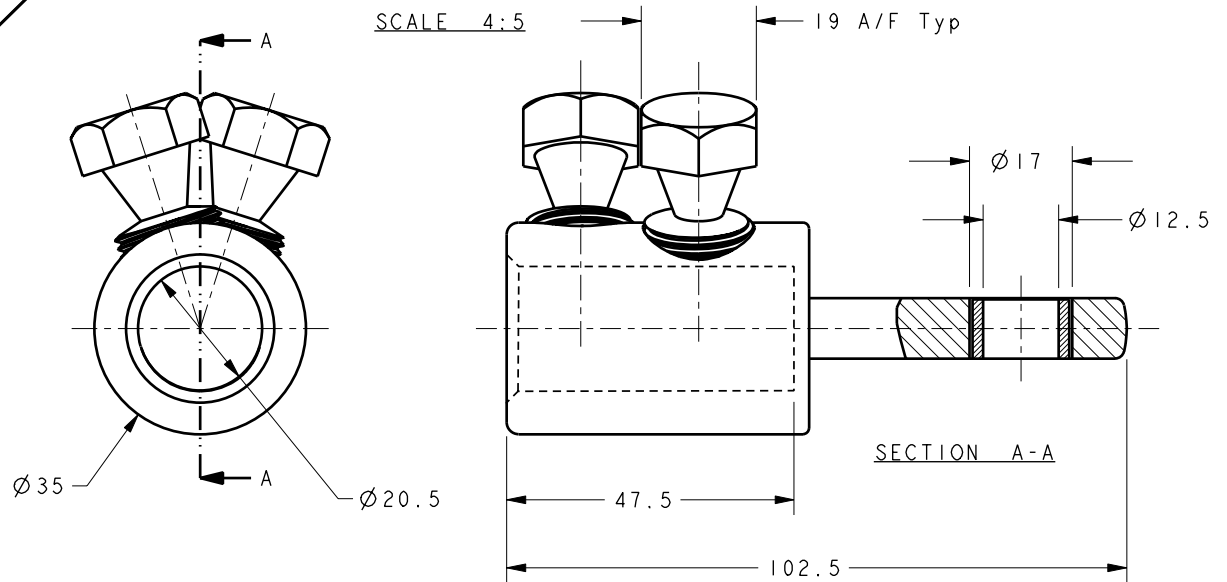
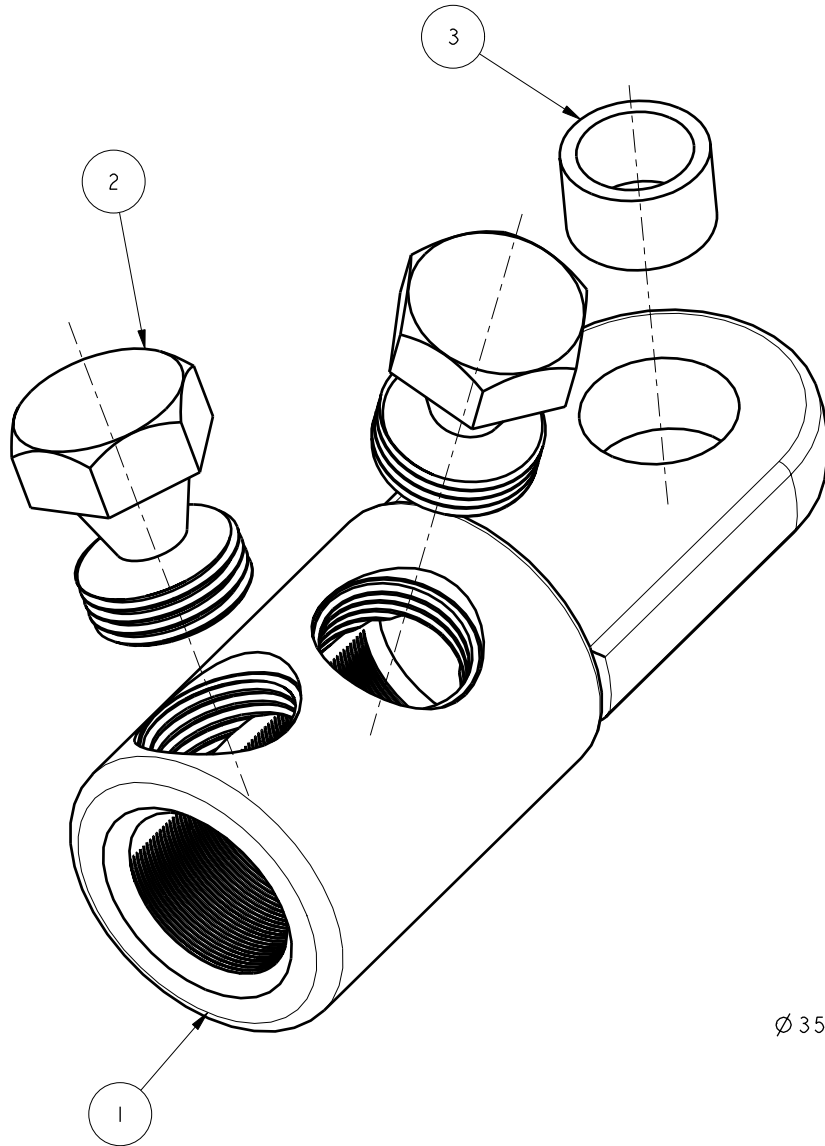


ITEM	PART/DRG NO	QTY	DESCRIPTION
1	01-403-0099	1	MV BRASS END TERMINATION BODY 35.0 O/D 20.5 I/D - CENTRE PALM WITH Ø17.0 HOLE
2	01-700-0085	2	M18x1.5 19 A/F 26.0 LONG BRASS SINGLE-SHEAR BOLT
3	01-707-0001	1	BRASS REDUCING BUSH 16.0 O/D 12.5 I/D 9.8 LONG



Issued to: Commercial	Quality	Stores	Production	A	FIRST ISSUE		S.P.W	12.6.02		
				Revision	Description	Name	Date			
				Design/Drawn	S.P.WEST	Date.	12-Jun-02	Scale (UOS)	5:4	
Tyco Electronics UK Ltd Aldridge Site Middlemore Lane West Aldridge West Midlands WS9 8EA Phone: +44(0)1922 743993 Fax: +44(0)1922 744150				Checked by	Approved by					
Material <b>BRASS CZ121</b> Finish <b>NATURAL</b> Tolerances (UOS) $\pm$ - B&H Short Desc. <b>VETB20/35-16</b>				IF IN DOUBT ASK - DO NOT SCALE <b>Part Description</b> <b>MV BRASS END TERMINATION - 35.0 O/D          20.5 I/D - CENTRE PALM WITH Ø17.0 HOLE</b>					<b>A4</b> Revision <b>A</b>	
				Drawing/Part No.	Drawing Type					
				<b>02-403-0100</b>		<b>ASSEMBLY</b>				

REMOVE ALL BURRS AND SHARP EDGES - ALL THREADS TO BS3643 PT 2 © THIS DRAWING IS COPYRIGHT AND IS ISSUED ON THE STRICT UNDERSTANDING THAT IT IS NOT REPRODUCED, COPIED OR DISCLOSED TO A THIRD PARTY WITHOUT THE CONSENT IN WRITING OF TYCO ELECTRONICS