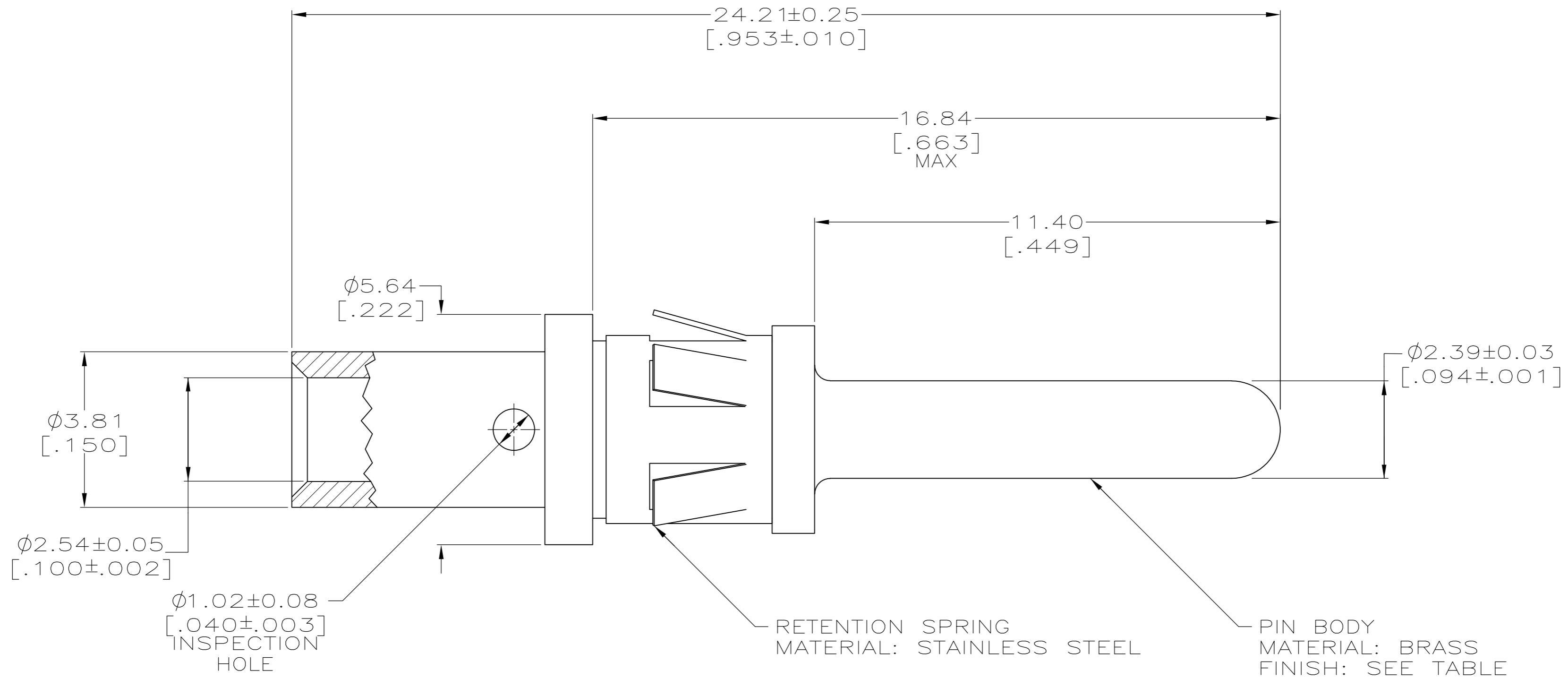


THIS DRAWING IS UNPUBLISHED. RELEASED FOR PUBLICATION
 © COPYRIGHT - By - ALL RIGHTS RESERVED.

LOC		DIST		REVISIONS			
P	LTR	DESCRIPTION		DATE	DWN	APVD	
FT	8	H1	REVISED PER ECO-13-009250		27JUN13	KH	MZ



- 1 0.76 μm [0.000030] MIN GOLD OVER 1.27 μm [0.000050] MIN NICKEL.
- 2 3.81 μm [0.000150] MIN TIN.
- 3 ASSEMBLY MATES WITH SOCKET ASSEMBLY 202417.

OBSOLETE	2	202422-4
	1	202422-1
PIN BODY FINISH		PART NUMBER

THIS DRAWING IS A CONTROLLED DOCUMENT.		DWN	B.CARBO	05 JAN 98	 TE Connectivity		
DIMENSIONS:		CHK	R.STONE	09 JAN 98			
mm [INCHES]		APVD	G.STEINHAUER	30 JAN 98			
TOLERANCES UNLESS OTHERWISE SPECIFIED:		NAME		CONTACT ASSEMBLY, PIN, 14-12 WIRE SIZE, TYPE I			
0 PLC	± -	PRODUCT SPEC		SIZE	CAGE CODE	DRAWING NO	RESTRICTED TO
1 PLC	± -	APPLICATION SPEC		A2	00779	C=202422	-
2 PLC	± 0.13 [0.005]	WEIGHT		SCALE		SHEET	REV
3 PLC	± -	MATERIAL		10:1		1 OF 1	H1
4 PLC	± -	FINISH		CUSTOMER DRAWING			
ANGLES	± -	SEE CALLOUTS					