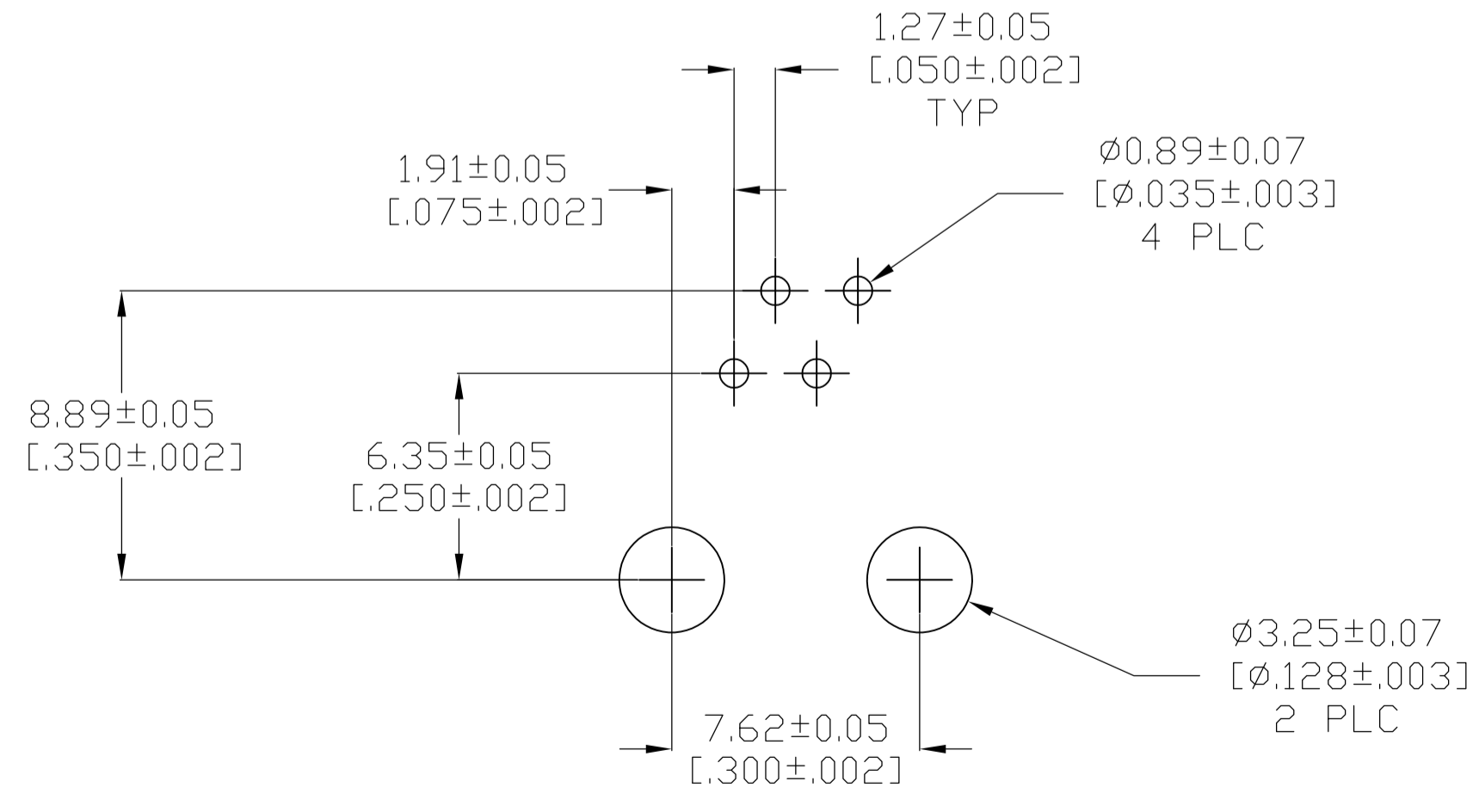
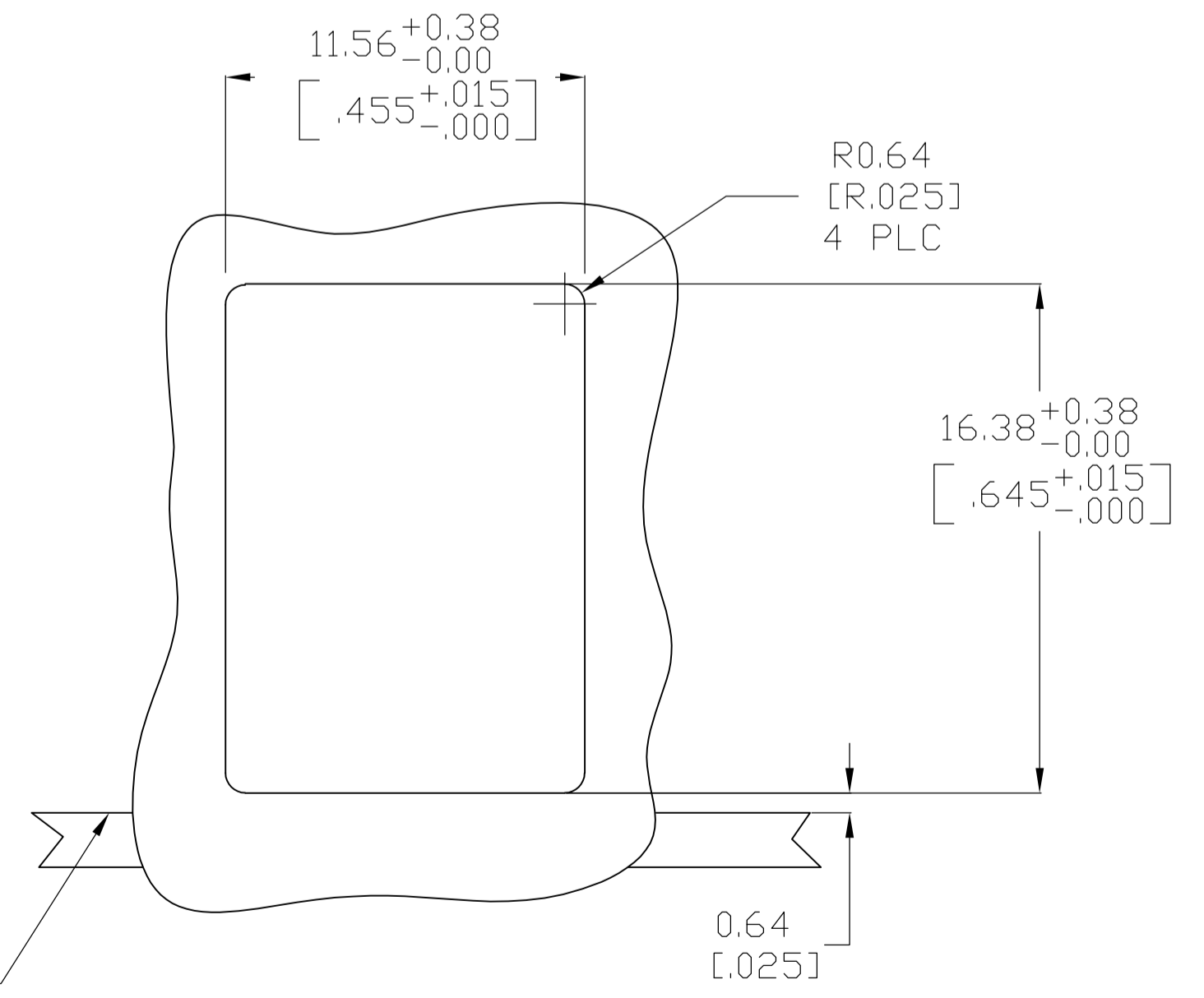


- MATERIAL:
HOUSING - POLYESTER, UL-94-V0, COLOR: BLACK
TERMINAL - 0.36[.014] THICK PHOS BRONZE PLATED WITH (SEE TABLE) MIN HARD GOLD IN LOCALIZED GOLD PLATE AREA AND 3.81µm[.000150] MIN THICK MATTE TIN IN SOLDER AREA OVER 1.27µm[.000050] MIN THICK NICKEL UNDERPLATE

△ CAVITY CONFORMS TO FCC RULES AND REGULATIONS PART 68 AND REA BULLETIN 345-81 PE 76 SPECIFICATION FOR MODULAR TELEPHONE HARDWARE.

3. DIMENSIONS ARE MAXIMUM UNLESS OTHERWISE SPECIFIED.

△ 0.15µm[.000006] GOLD PLATED PARTS DO NOT MEET THE MINIMUM GOLD THICKNESS REQUIREMENT OF FCC SPECIFICATION, PART 68. PARTS HAVE NOT BEEN TESTED TO THE DURABILITY REQUIREMENTS OF TE CONNECTIVITY PRODUCT SPEC 108-1163



RECOMMENDED PANEL CUTOUT

RECOMMENDED PRINTED CIRCUIT BOARD LAYOUT COMPONENT SIDE

OBSELETE	△ 0.15µm[.000006]	2-5520249-2
	1.27µm[.000050]	5520249-2
	GOLD THICKNESS	PART NUMBER

THIS DRAWING IS A CONTROLLED DOCUMENT. DIMENSIONING AND TOLERANCING PER ASME Y14.5M-2009		DIN J. ALCORTA - 17JUN2005 CHK S. FLICKINGER 17JUN2005	TE Connectivity	
DIMENSIONS: mm [INCHES]		APVD S. FLICKINGER 17JUN2005	NAME	
0 PLC ± - 1 PLC ± - 2 PLC ± - 3 PLC ± 0.13[.005] 4 PLC ± - ANGLES ± ± -		PRODUCT SPEC 108-1163		PRINTED CIRCUIT BOARD MODULAR JACK ASSEMBLY, SIDE ENTRY, 4 POSITION, FLANGELESS, WITH PANEL STOPS
MATERIAL SEE NOTE 1		FINISH SEE NOTE 1		RESTRICTED TO
		WEIGHT		SCALE 5:1 SHEET 1 OF 1 REV D2
		CUSTOMER DRAWING		SIZE CAGE CODE DRAWING NO. 114-2048 A1 00779 C=5520249