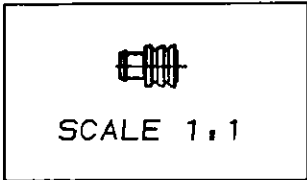


1 2 3 4

SCALA NON IMPEGNATIVA
(DO NOT SCALE)
DIMENSIONI IN mm
(DIMENSIONS IN)

METRIC

PROIEZIONE EUROPEA
(EUROPEAN PROJECTION)



A

A

B

B

C

C

D

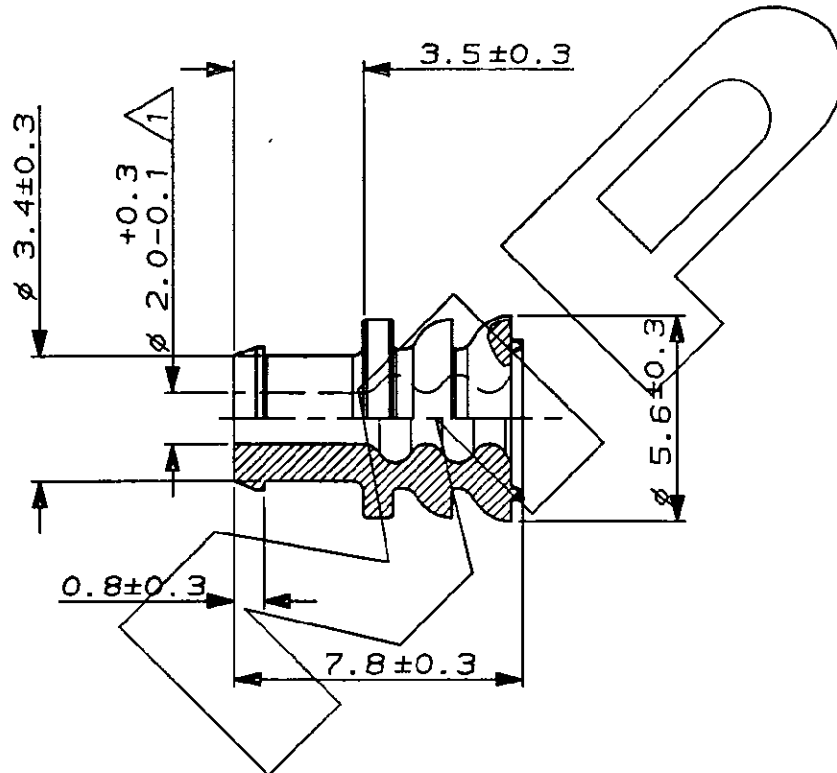
D

E

E

F

F



NOTE

1 FORO PER CAVO ISOLANTE RIDOTTO FASE 3: $\phi 2.7 - 3.0$
SECONDO TABELLA FIAT # 91107/03.
(SUITABLE FOR REDUCED INSULATION CABLE $\phi 2.7 - 3.0$)

GRIGIO (GREY)	GOMMA SILICONICA (SILICONE RUBBER)	282536-1
FINITURA / COLORE (FINISH / COLOUR)	MATERIALE (MATERIAL)	NUMERO (PART NUMBER)
CUSTOMER DWG. FOR REFERENCE ONLY		DISEGNO PER CLIENTE SOLO PER RIFERIMENTO
THIS DRAWING IS UNPUBLISHED		RELEASE FOR PUBLICATION <input type="checkbox"/>
© COPYRIGHT 1994 BY AMP INCORPORATED, HARRISBURG, PA. ALL INTERNATIONAL RIGHTS RESERVED. AMP PRODUCTS MAY BE COVERED BY U.S. AND FOREIGN PATENT AND/OR PATENT PENDING		
TOLLERANZE, SE NON DIVERSAMENTE SPECIFICATE (TOLERANCES, UNLESS OTHERWISE SPECIFIED)	DIAM. ISOLANTE (INS. DIA. RANGED)	RANGO FILO (WIRE RANGE)
± 0.3	see note 1	2.5 mm ²
ANGOLI (ANGLES)	SCALA (SCALE)	
$\pm 2^\circ$	---	
DIS. 6 MAY 1994 (DR.) C. TANNARELLI CONT. 12 MAY 1994 (CHK) C. TARTARI		AMP ITALIA S.p.A. Corso F. LLI Cervi, 15 COLLEGNO (TORINO)
IN PRODUZIONE EC, ET00-0153-94 24 JUN. 1994		DESCRIZIONE (DESCRIPTION)
PRIMA EMISSIONE REVISIONI (REVISION RECORD) DIS. (DR.) DATA (DATE)		SINGLE WIRE SEAL
REV. (REV.)	APP. (APP.)	LOC. (LOC.)
0		SIZE (SIZE)
		NUMERO (DWG NO)
		C-282536
		REV. (REV.)
		A
		FOLIO (SHEET)
		1 DI (OF) 1