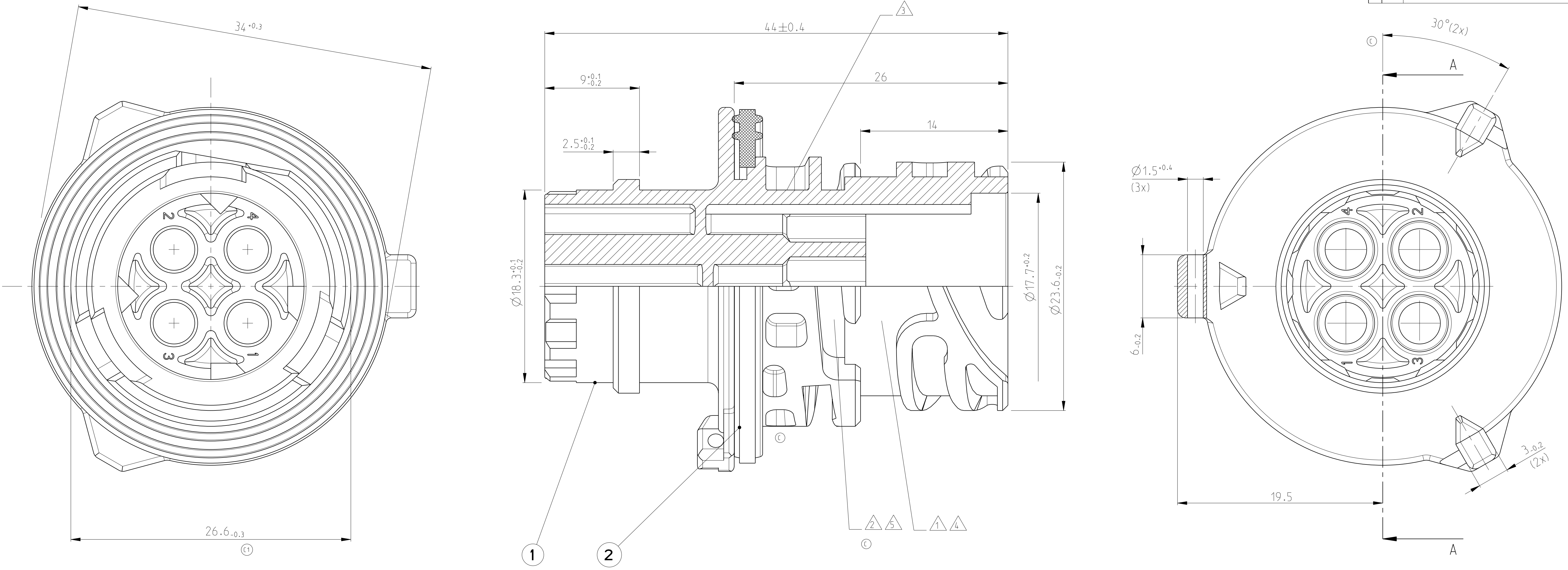


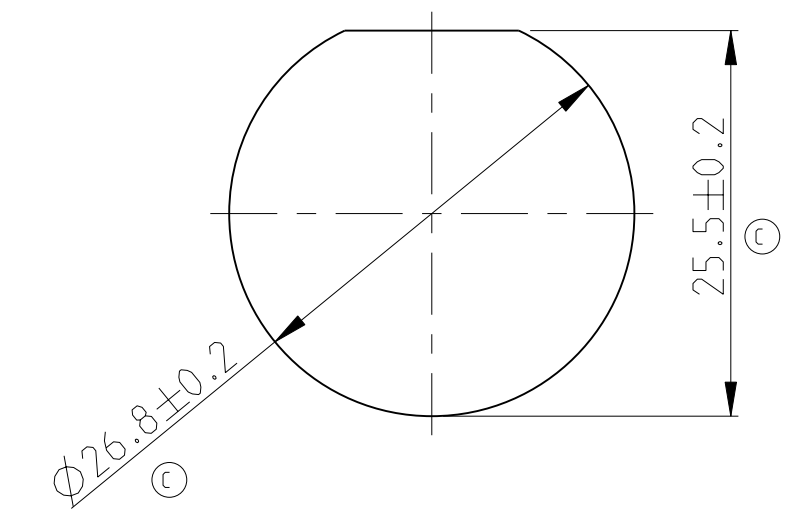
| LOC | DIST | P | LTH | REVISIONS | DATE | DWN | APVD |
|-----|------|---|-----|---------------------------|-----------|-----|------|
| A1 | - | - | - | REVISED PER ECO-11-005150 | 30MAR2011 | RK | HMR |

SECTION A-A
Schnitt



- NOTES:**
Bemerkungen:
- ① AMP OR Tyco Electronics (TE) LOGO AND TE CONNECTIVITY SINGLE PART-NUMBER
AMP oder Tyco Electronics (TE) Logo und TE CONNECTIVITY Einzelteilnummer
 - ② MATERIAL MARKING
Werkstoffkennzeichnung
 - ③ REVISION OF THE MOULD
Werkzeugaenderungsindex
 - ④ PRODUCTION DATE
Produktionsdatum
 - ⑤ CAVITY MARKING
Nestmarkierung
 - 6 FOR SUITABLE CONTACTS AND SEALS SEE DRAWING:
Zu verwendende Kontakte und Einzeldichtungen siehe Tabellenzeichnung:
 - ⑦ MAX. WIRE THICKNESS: 2.5mm² FLR
max. Drahtgroesse: 2.5mm² FLR
 - ⑧ PANEL MOUNTING WITH FIXING RING
TE CONNECTIVITY-NO. 965687-1
Hinterwandmontage mit Befestigungsring
TE CONNECTIVITY-Nr. 965687-1
 - ⑨ COUPLING PART ACC. TO DIN 72585 / ISO 15170
Kupplungsseite nach DIN 72585 / ISO 15170
 - ⑩ IN THE CASE OF NEW DESIGNS, THE DIMENSIONS OF THE CUT OFF SHOULD BE PLACED NEAR THE LOWER TOLERANCE LIMIT
Hinterwandmontage mit Befestigungsring
Bei Neukonstruktionen sollten die Masse des Blechausschnittes an die untere Toleranzgrenze gelegt werden

CUT OFF
(MATERIAL THICKNESS: 2.5±0.1 MM)
Befestigungsausschnitt
(Materialstaerke: 2.5±0.1 mm)



| ① | ② | ③ | ④ | ⑤ | ⑥ | ⑦ | ⑧ | ⑨ | ⑩ | ⑪ | ⑫ | ⑬ | ⑭ | ⑮ | ⑯ | ⑰ | ⑱ | ⑲ |
|---------------------------------------|---|---------------------------------------|---|------|---------------|----------|------------------|--|---|------|---|---|---|---|---|---|---|---|
| CODING 4 (BLUE) Kodierung 4 (blau) | CODING 3 (GREEN) Kodierung 3 (gruen) | CODING 2 (GREY) Kodierung 2 (grau) | CODING 1 (BLACK) Kodierung 1 (schwarz) | POS. | QTY Stueck | MATERIAL | COLOUR Farbe | DESCRIPTION Beschreibung | USED CONTACT CAVITIES Kontaktboesueckung | REV. | ⑲ | ⑲ | ⑲ | ⑲ | ⑲ | ⑲ | ⑲ | ⑲ |
| X | | | | | | SILICONE | GREEN Gruen | SEALING Dichtung | | 1 | | | | | | | | |
| X | | | | | | PBT-GF20 | BLUE Blau | 4POS. PIN HOUSING 4pol. Stiftgehaeuse | | 1 | | | | | | | | |
| | X | | | | | PBT-GF20 | GREEN Gruen | 4POS. PIN HOUSING 4pol. Stiftgehaeuse | | 1 | | | | | | | | |
| | | X | | | | PBT-GF20 | GREY Gruen | 2POS. PIN HOUSING 2pol. Stiftgehaeuse | | 1 | | | | | | | | |
| | | | X | | | PBT-GF20 | GREY Gruen | 3POS. PIN HOUSING 3pol. Stiftgehaeuse | | 1 | | | | | | | | |
| | | | | X | | PBT-GF20 | GREY Gruen | 4POS. PIN HOUSING 4pol. Stiftgehaeuse | | 1 | | | | | | | | |
| | | | | | X | PBT-GF20 | BLACK Schwarz | 2POS. PIN HOUSING 2pol. Stiftgehaeuse | | 1 | | | | | | | | |
| | | | | | | PBT-GF20 | BLACK Schwarz | 3POS. PIN HOUSING 3pol. Stiftgehaeuse | | 1 | | | | | | | | |
| | | | | | | PBT-GF20 | BLACK Schwarz | 4POS. PIN HOUSING 4pol. Stiftgehaeuse | | 1 | | | | | | | | |

THIS DRAWING IS A CONTROLLED DOCUMENT.

| | | | | | |
|-----------------------|---|--------------------------------|---------------------------------|-----------------------------------|---|
| DIMENSIONS: mm | TOLERANCES UNLESS OTHERWISE SPECIFIED: ACQ. TO ISO 8015 ±0.2mm ±0.1mm ±0.05mm ±0.02mm ±0.01mm ±0.005mm ±0.002mm ±0.001mm | DWN J. GRANZOW 06MART995 | CHK J. Haess 06MART995 | APVD Ch. Fierwein 10MAY2010 | NAME 2.5MM PIN HOUSING, 2-4POS.. ASSY 2.5mm Stiftstecker, 2-4pol.. Assy |
| MATERIAL SEE TABLE | FINISH SEE TABLE | PRODUCT SPEC 108-18621-0 | APPLICATION SPEC 114-18255-0 | SIZE A1 | CAGE CODE 00779 |
| CUSTOMER DRAW ING | SCALE 5:1 | WEIGHT 15g | DRAWING NO. C=967402 | SHEET 1 OF 1 | RESTRICTED TO |

4805 (3/11) Pro/ENGINEER DRAWING