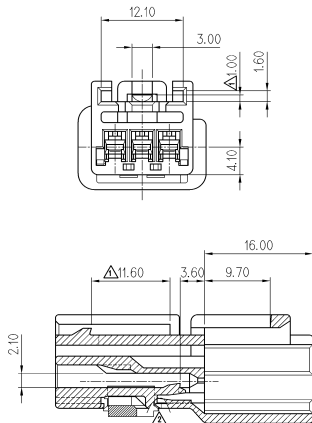


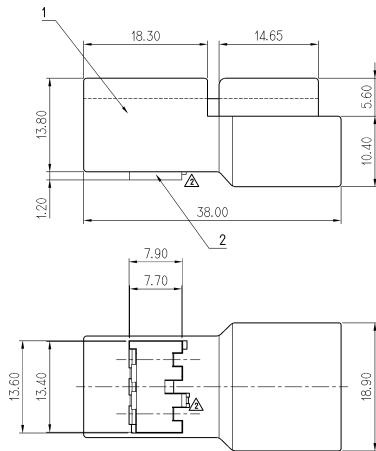
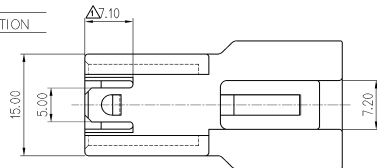
NOTE

- MUST BE FREE OF FLASH, SINK AND IMPERFECTION THAT AFFECT FUNCTION.
- APPLICABLE TERMINAL: ST740672, 673, 674
- APPLICABLE HOUSING: MG651032
- SPACER MUST BE SUPPLY IN 1'ST LOCK'G CONDITION SUCH AS THIS DRAWING.

GENERAL TOLERANCE (HOUSING)					USED ON
10MAX	20MAX	45MAX	ANGLE	ECCENT	
±0.2	±0.25	±0.3	±30'	0.1	

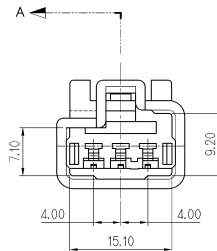


SECT' A-A



주 기

- 제품기능상 유해한 BURR, 변형 및 WELDLINE 등이 없을것.
- 적용 TERMINAL: ST740672, 673, 674
- 적용 HOUSING: MG651032
- SPACER는 본 도면과 같이 1차 LOCK'G 상태로 유지, 공급할 것.



NO.	MATERIAL	COLOR
0		NATURAL
1		RED
2	P B T:	BLUE
3		YELLOW
40		DARK GRAY
41		LIGHT GRAY
5		BLACK
6		DARK GREEN
7		BROWN
8		LIGHT GREEN
9		MAGENTA
11		ORANGE

* " "는 현재 사용중인 COLOR임.



NO.	PART NO.	PART NAME	MATERIAL
1	MG671033	.090 II 3M HOUSING	SEE TABLE
2	MG671034	.090 II 3M SPACER	

MATERIAL	SEE TABLE	KET KOREA ELECTRIC ENGINEERING TERMINAL CO., LTD.
FINISH	SEE TABLE	
WIRE RANGE		CLASS
INSULATION		TYPE 7282-1030
SCALE	±0.2 2/1	PART NO. MG641035
DR. WON. '97.03.07	CHK. [Signature]	DATE 9/9
CHK. S.I. [Signature]	APP. [Signature]	DATE 9/9
PART NAME		.090 II 3M HOUSING ASS'Y