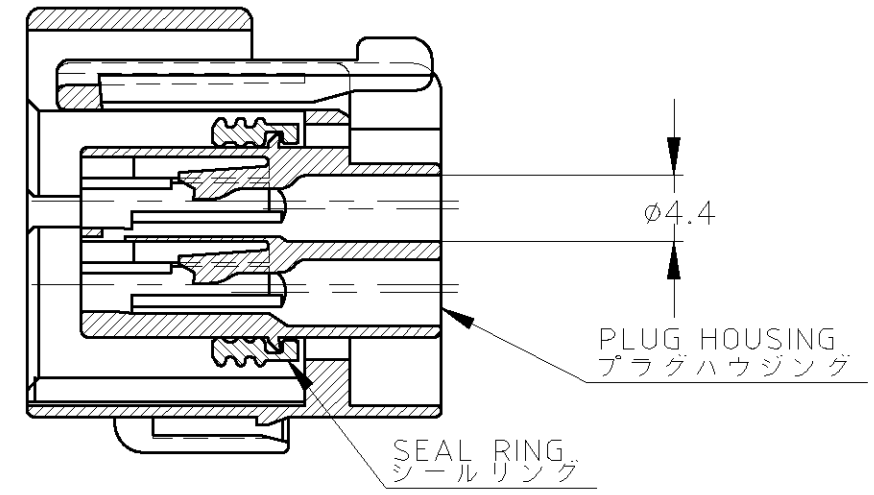
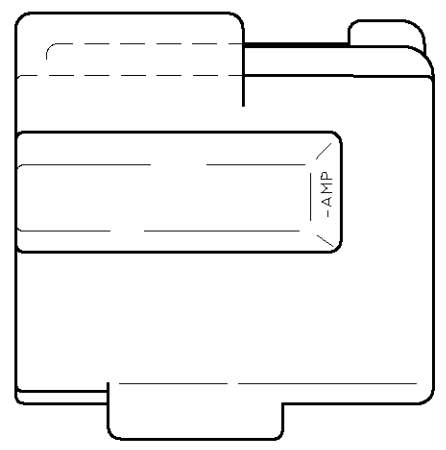
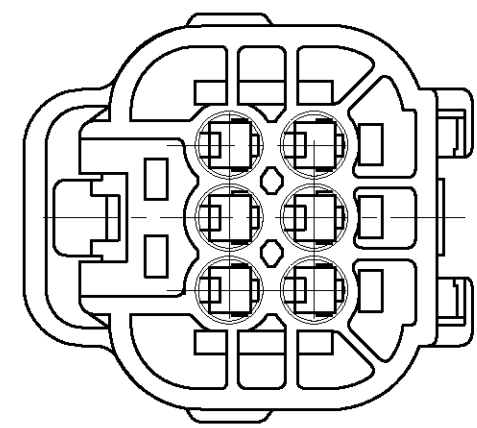
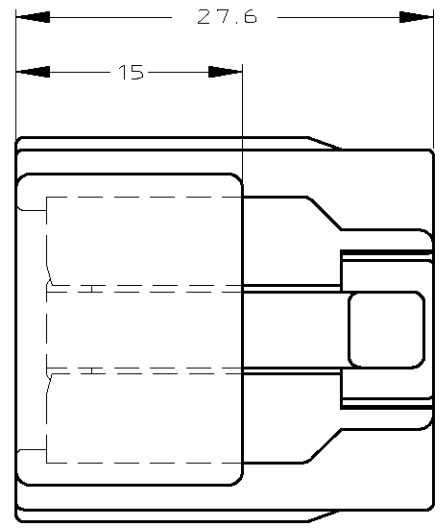
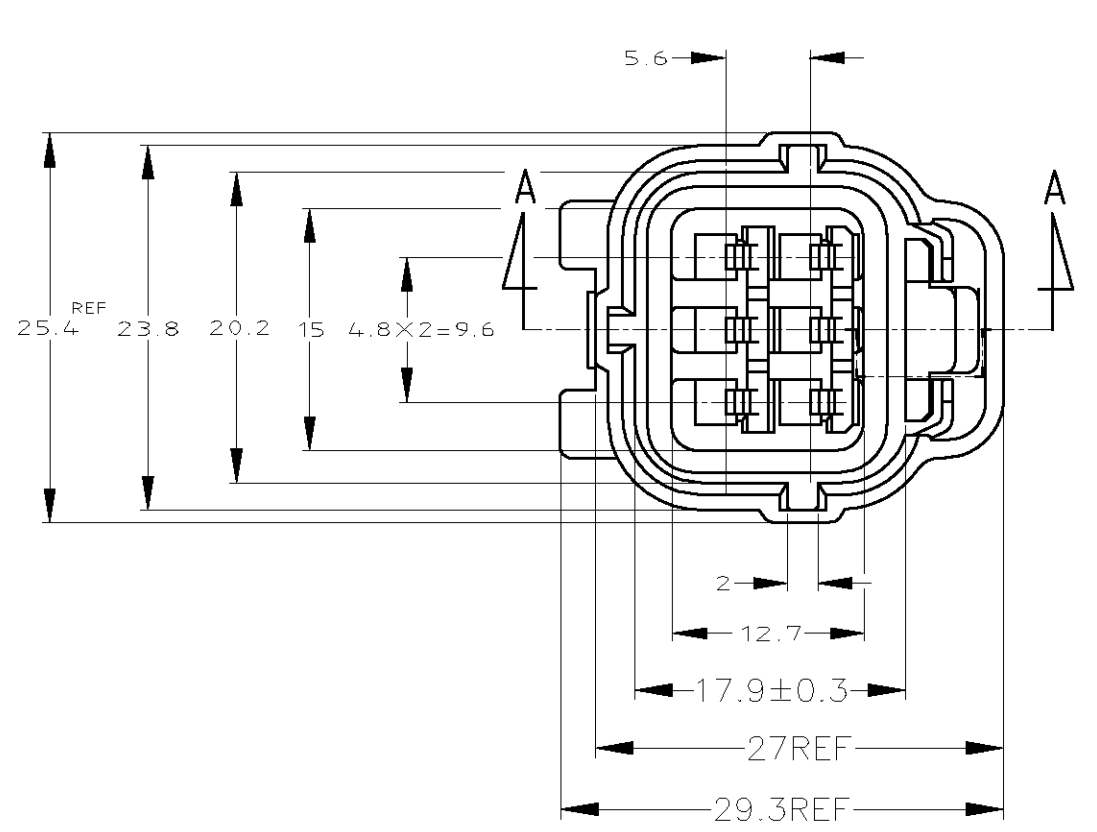


THIS DRAWING IS UNPUBLISHED. RELEASED FOR PUBLICATION  
 © COPYRIGHT - By - ALL RIGHTS RESERVED.

LOC	DIST	REVISIONS					
J	-	P	LTR	DESCRIPTION	DATE	DWN	APVD
		A4	REVISED	ECR-13-010600	03JUL2013	TS	KB



- 1. 嵌合相手型番：174264, 173920
- 2. 本品はプラグハウジング単体にシールリングがアセンブリされたものである。
- 3. 本品はダブルロックプレート型番 174263を装着して使用する。

- 1. FOR CAP HOUSING PN 174264, 173920
- 2. THIS PART IS COMPOSED OF PLUG HOUSING AND SEAL RING
- 3. THIS PART MUST BE USED WITH DOUBLE LOCK PLATE PN 174263

黒 (BLACK)	174262-2
色 (COLOR)	P/N

TOLERANCE UNLESS OTHERWISE SPECIFIED: 一般公差

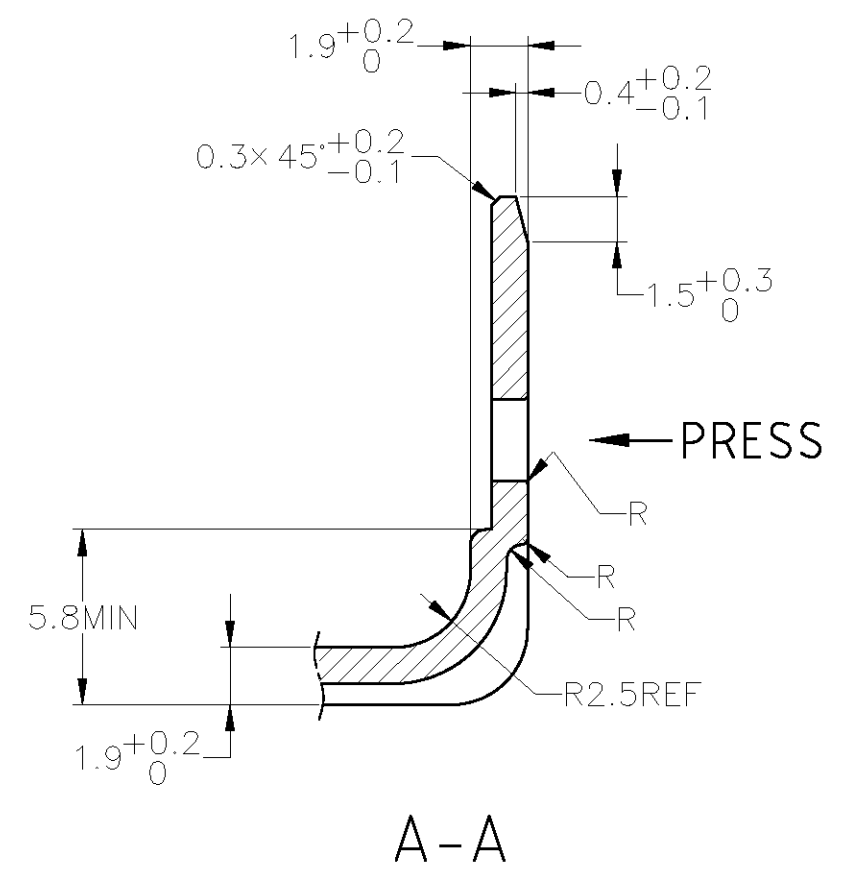
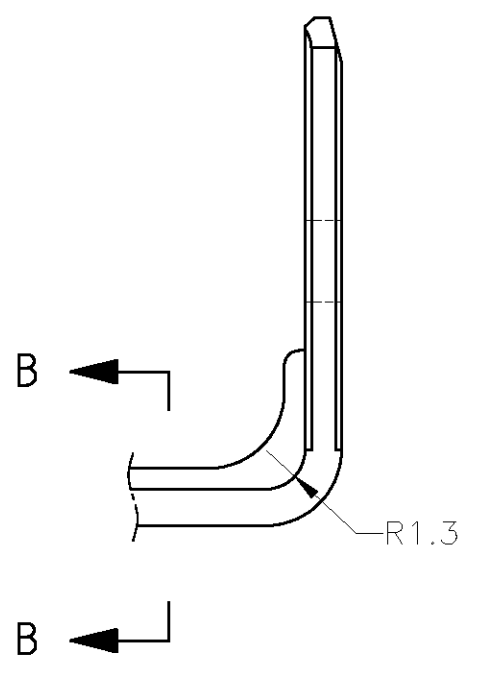
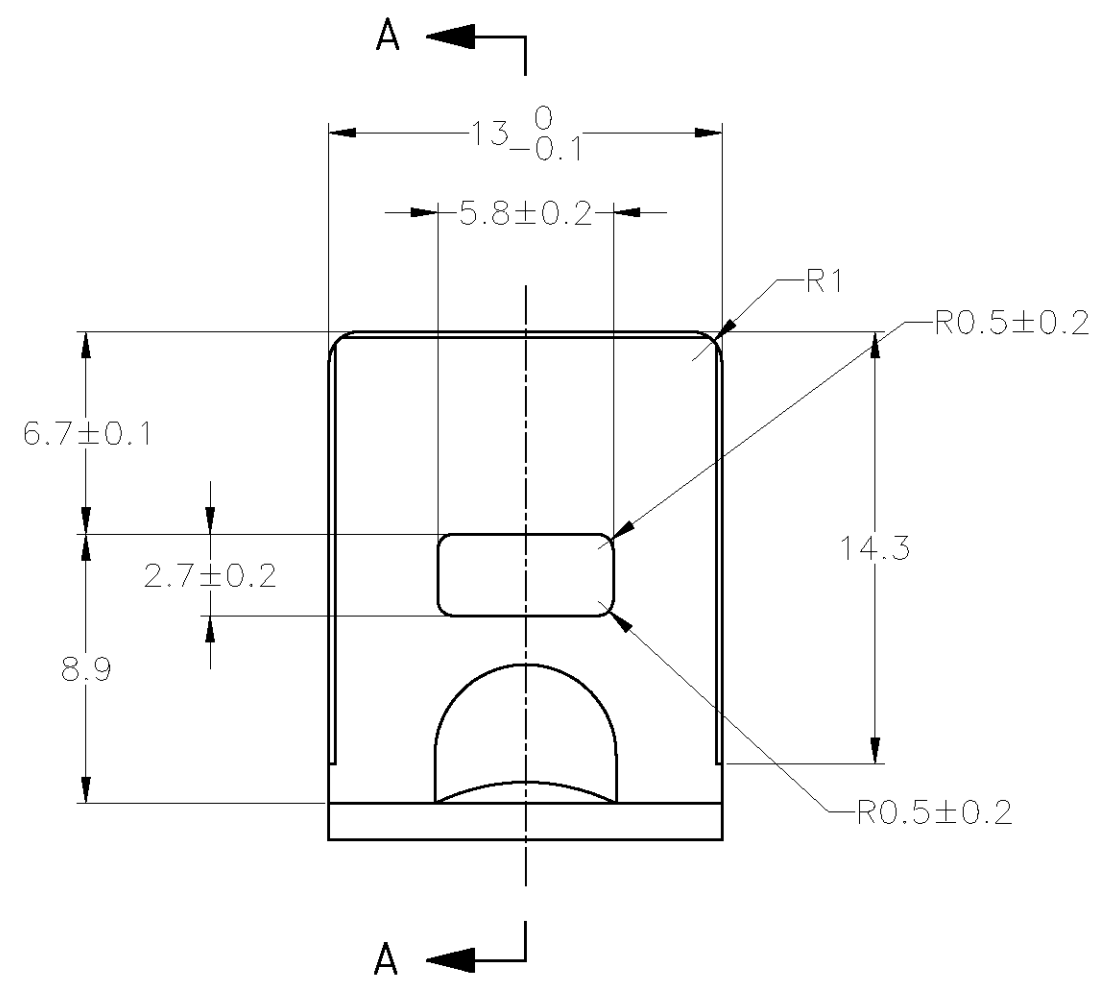
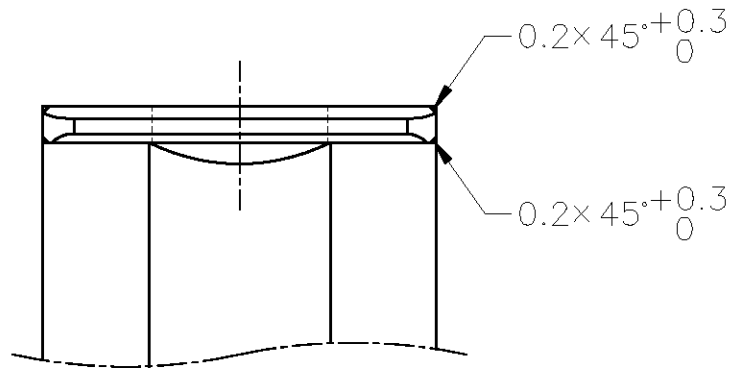
0 < x ≤ 10	: ±0.2
10 < x ≤ 30	: ±0.25
30 < x ≤ 100	: ±0.3
ANGLE ; 角度	: ±3°

THIS DRAWING IS A CONTROLLED DOCUMENT.		DWN A. YAMAGUCHI 30JUL02	<b>STE</b> TE Connectivity	
DIMENSIONS: 単位: 耗 mm		CHK K. ODA 30JUL02		
TOLERANCES UNLESS OTHERWISE SPECIFIED: 一般公差		APVD K. ODA 30JUL02	NAME 6Pos. ECONOSEAL J-MARK-II+ CONNECTOR PLUG HOUSING	
MATERIAL 材料 PBT		PRODUCT SPEC 製品規格 108-5262	SIZE A3	
FINISH 仕上		APPLICATION SPEC 取付適用規格	CAGE CODE 00779	DRAWING NO 番号 C-174262
WEIGHT 9.3 g		CUSTOMER DRAWING	RESTRICTED TO	
SCALE 尺度 2:1		SHEET 1 OF 2		REV A4

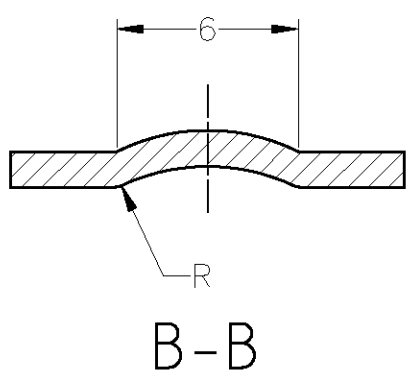
THIS DRAWING IS UNPUBLISHED. RELEASED FOR PUBLICATION  
 © COPYRIGHT - By - ALL RIGHTS RESERVED.

LOC	DIST	REVISIONS					
J	-	P	LTR	DESCRIPTION	DATE	DWN	APVD
		-		SEE SHEET 1	-	-	-

ブラケット推奨寸法図  
 RECOMMENDED DIMENSION OF BRACKET



t = 1.2 ± 0.08



TOLERANCE UNLESS OTHERWISE SPECIFIED: 一般公差

0 < x ≤ 10	: ±0.2
10 < x ≤ 30	: ±0.25
30 < x ≤ 100	: ±0.3
ANGLE ; 角度	: ±3°

THIS DRAWING IS A CONTROLLED DOCUMENT.		DWN T.SHINOHARA 09FEB04	TE Connectivity													
DIMENSIONS: 単位: 耗 mm		CHK K.BETSUI 09FEB04														
TOLERANCES UNLESS OTHERWISE SPECIFIED: 一般公差		APVD K.BETSUI 09FEB04	NAME 名称 6Pos. ECONOSEAL J-MARK-II+ CONNECTOR PLUG HOUSING													
<table border="1"> <tr> <td>0 PLC</td> <td>± -</td> </tr> <tr> <td>1 PLC</td> <td>± -</td> </tr> <tr> <td>2 PLC</td> <td>± -</td> </tr> <tr> <td>3 PLC</td> <td>± -</td> </tr> <tr> <td>4 PLC</td> <td>± -</td> </tr> <tr> <td>ANGLES</td> <td>± -</td> </tr> </table>		0 PLC	± -	1 PLC	± -	2 PLC	± -	3 PLC	± -	4 PLC	± -	ANGLES	± -	PRODUCT SPEC 製品規格	SIZE A3	
0 PLC	± -															
1 PLC	± -															
2 PLC	± -															
3 PLC	± -															
4 PLC	± -															
ANGLES	± -															
MATERIAL 材料		APPLICATION SPEC 取付適用規格	CAGE CODE 00779	RESTRICTED TO -												
FINISH 仕上		WEIGHT	DRAWING NO 番号 C-174262	SCALE 尺度 4:1												
CUSTOMER DRAWING			SHEET 2 OF 2	REV A4												