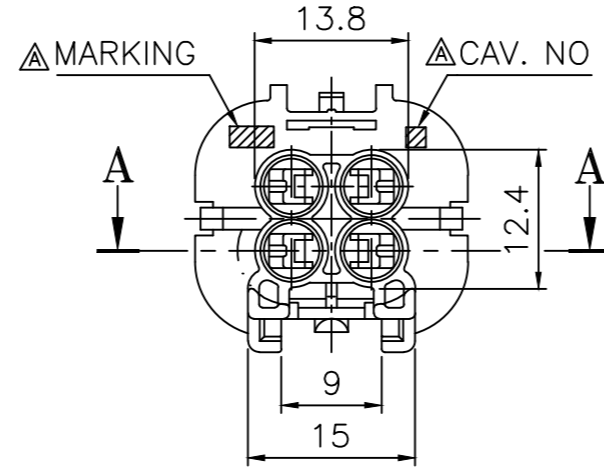
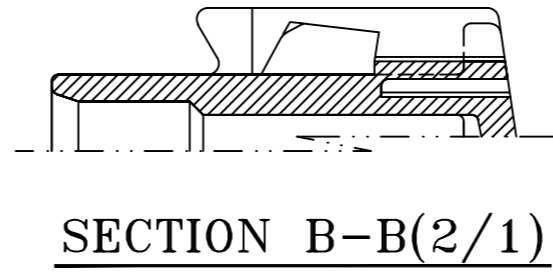
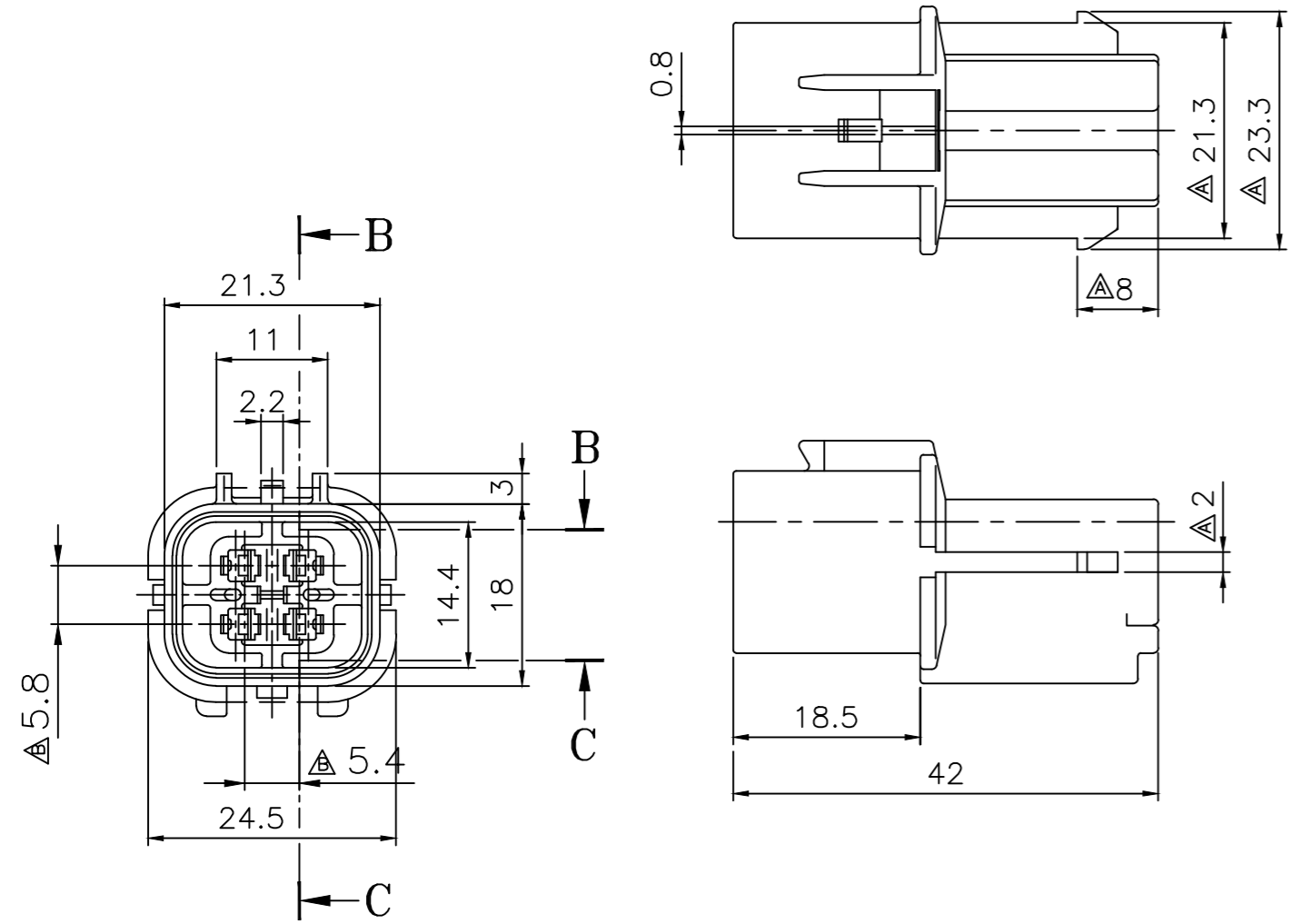


CUSTOMER DRAWING

①②③④ CONN. NMWP04M



— 주 기 —

- MARKING 및 CAV. NO는 당사 규정에 의하여 각인 할 것.
- 상대 MATCHING CONNECTOR : NMWP CONN. RECEPT.
- ASSY 부품
 - FRONT HOLDER : PB871-04900
 - TERMINAL

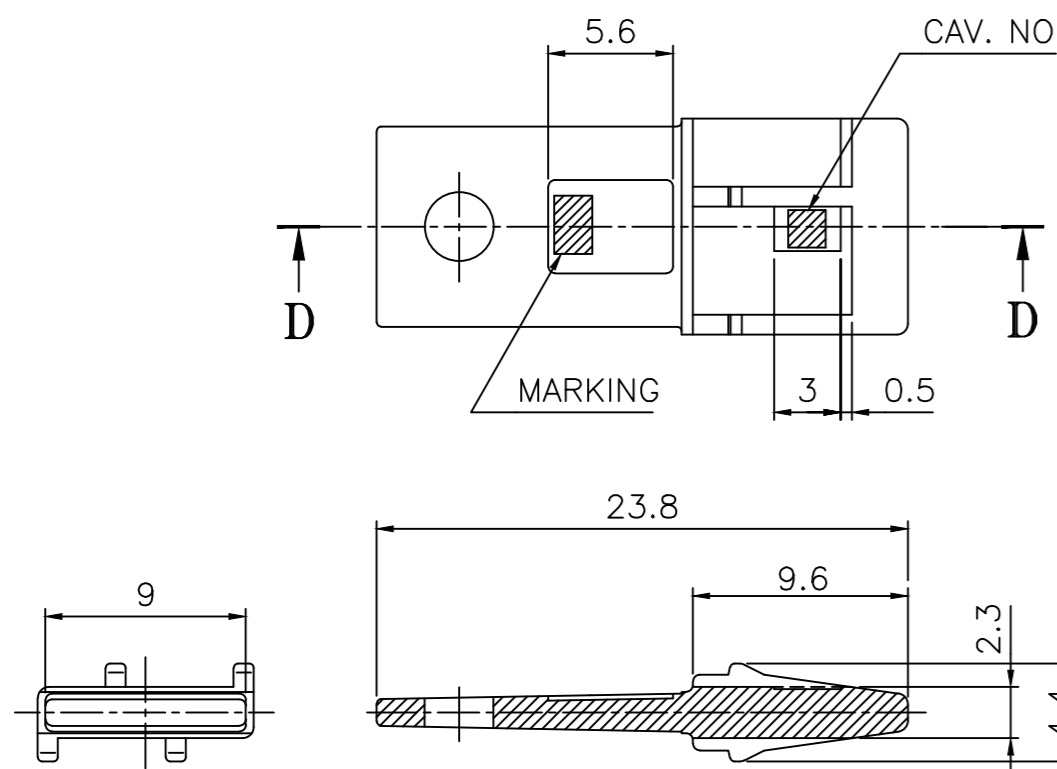
| 적용 전선(SQ) | PART NAME | PART NO. |
|--|--------------|-------------|
| AV,AVS,AVSS 0.3~0.5 / AVX,AEX 0.5 | NMWP-M-S | MT091-63080 |
| AV,AVX,AEX,AVS,AVSS 0.75~0.85sq, AESSX 0.75~0.85sq, 테프론 0.61sq | NMWP-M-SM | TN021-00200 |
| AV,AVX,AEX,AVS,AVSS 1.25sq~2.0sq | NMWP-M-M | MT091-63280 |
| AV,AVS,AVSS 0.3~0.5 / AVX,AEX0.5 | NMWP-M-S-Au | MT091-63060 |
| AV,AVX,AEX,AVS,AVSS 0.75~0.85sq, AESSX 0.75~0.85sq, 테프론 0.61sq | NMWP-M-SM-Au | TN021-00210 |
| AV,AVX,AEX,AVS,AVSS 1.25sq~2.0sq | NMWP-M-M-Au | MT091-63260 |

3) WIRE SEAL

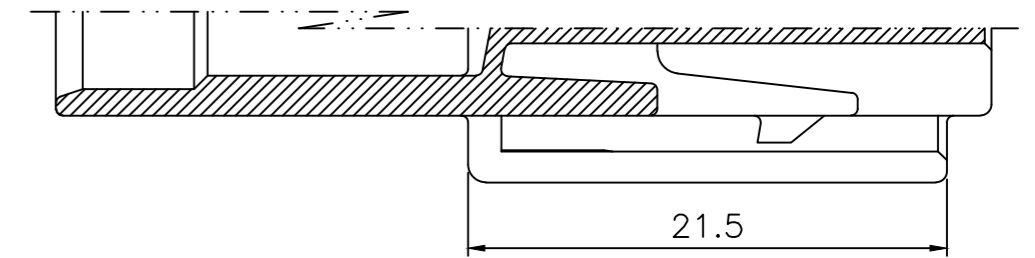
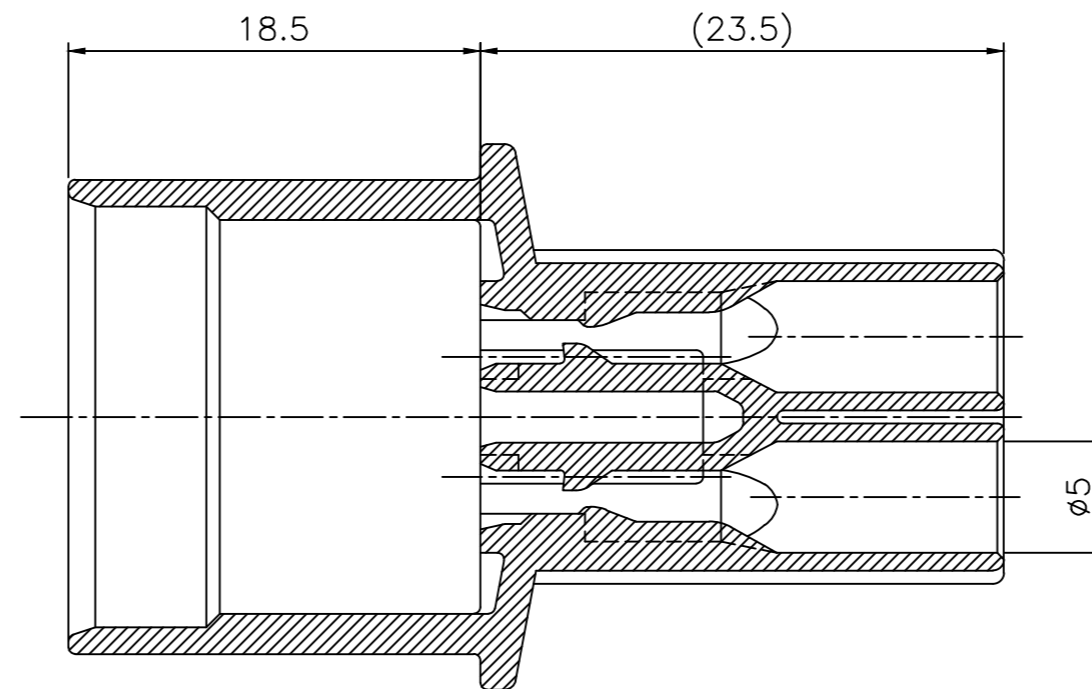
| 적용 전선(SQ) | PART NAME | PART No. |
|---|---------------|-------------|
| AV,AVS 0.3 / AVSS 0.3~0.85sq, AESSX 0.75~0.85sq, 테프론 0.61sq | W/S MWP-0.3 | RS220-01100 |
| AV 0.5,AVSS1.25/AVS,AVX,AEX0.5~0.85 | W/S MWP-SS | RS220-04100 |
| AV 0.75~0.85, AVS 1.25 | W/S MWP-S | RS220-02100 |
| AVS,AVSS 2.0 /AV,AVX,AEX 1.25~2.0 | W/S MWP-W | RS220-03100 |
| 적용SEAL용 PIN | NMWP S/P ASSY | PZ001-15022 |

4. 본 부품은 방수형 CONNECTOR임.

⑤ F/H. NMWP04M(2/1)



SECTION D-D



SECTION C-C(2/1)

| | | | | |
|-----|--------------------|-------------|--------|----------|
| ⑤ | F/H NMWP04M-OR | PB871-04900 | ORANGE | PBT |
| ④ | CONN. NMWP04M-B-GY | PB621-04720 | GRAY | PBT |
| ③ | CONN. NMWP04M-B-BR | PB621-04650 | BROWN | PBT |
| ② | CONN. NMWP04M-B-L | PB621-04640 | BLUE | PBT |
| ① | CONN. NMWP04M-B | PB621-04020 | BLACK | PBT |
| NO. | PART NAME | PART NO. | COLOR | MATERIAL |

| | | | | | | |
|------------------------|-----------|----------|--------|-------|---------|----------|
| THIRD ANGLE PROJECTION | A | 1/1(2/1) | KKL | KMH | KNJ | CJW |
| | TOLERANCE | SCALE | DESIGN | DRAWN | CHECKED | APPROVED |

| | | | | | |
|-----|----------|-----------|-----|--------------------------|-----|
| | | | | | |
| CJW | 06.07.28 | E006-0040 | △C | TML 사양추가 및 적용전선사양변경(5개소) | SSJ |
| KKL | 02.07.03 | - | △B | 치수 추가(2개소) | KMH |
| CJW | 99.12.20 | - | △A | 형상 변경(6개소) | KKL |
| CJW | 96.11.11 | - | △ | 신 규 | KKL |
| 승인 | DATE | NOTE NO. | SYM | ALTERATION | 담당 |

| | |
|--------------|------------------|
| DRAWING NAME | CONN. NMWP04M-B |
| DRAWING NO. | PB621-04020-C01C |

| GENERAL TOLERANCE | | | | | | | |
|-------------------|-------|-------|--------|--------|--------|-------|-------|
| | 10MAX | 50MAX | 100MAX | 150MAX | 200MAX | 200VR | ANGLE |
| A | ±0.2 | ±0.3 | ±0.5 | ±0.8 | ±1.0 | ±1.4 | ±30' |

KUM 케이유엠