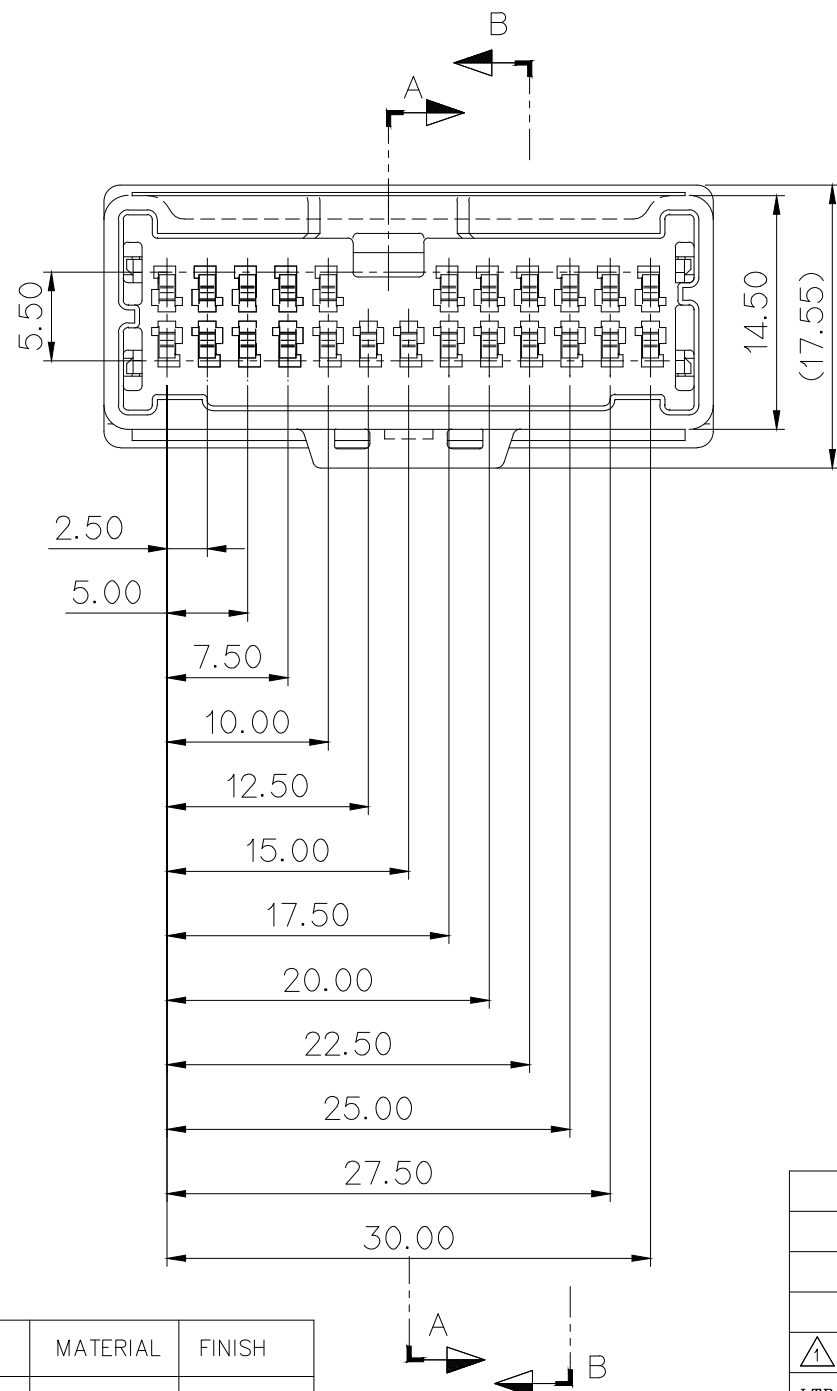
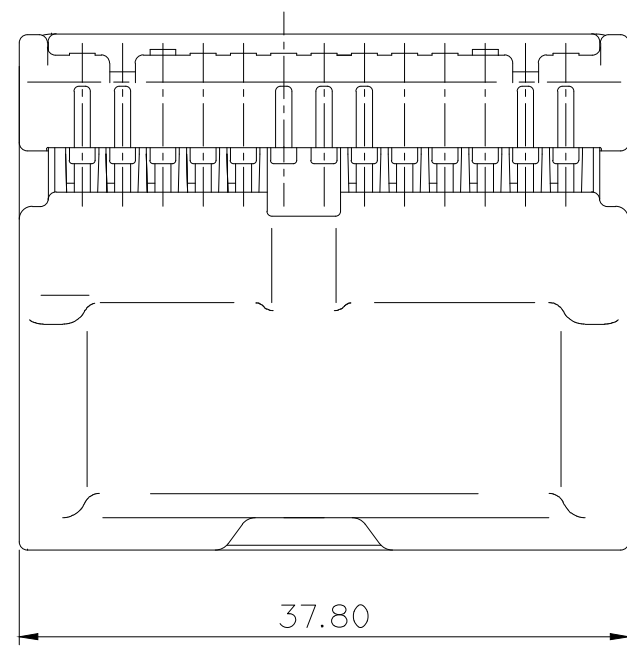


NO.	PART NO.	PART NAME	MATERIAL	FINISH
①	MG673031	040III 24P MALE HS'G	PBT	NATURAL
②	MG673032	040III 24P MALE R/HOLDER	PBT	NATURAL



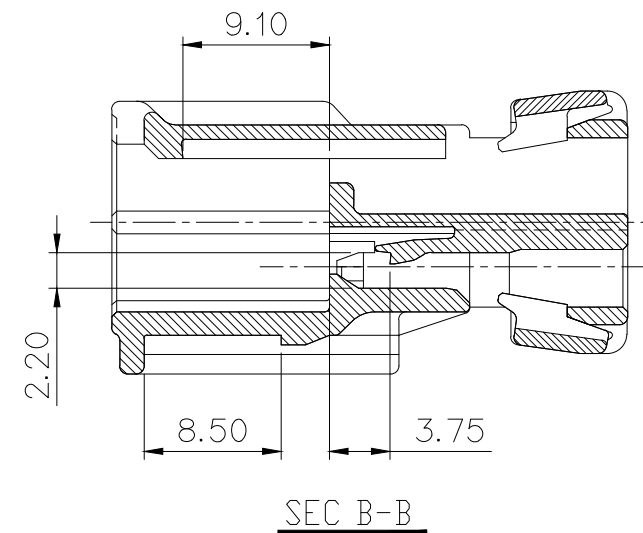
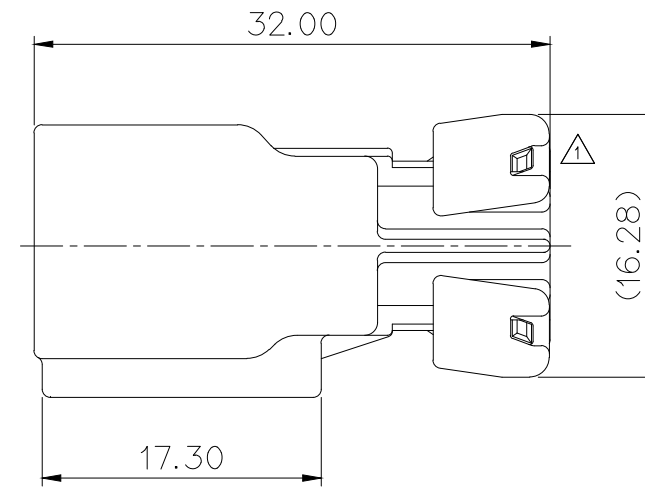
GENERAL TOLERANCE (HOUSING)							USED ON
10 MAX	50 MAX	100 MAX	250 MAX	250 VR	ANGLE	ECCENT	
±0.2	±0.3	±0.55	±0.95	±1.4	±30'	0.1	

주 기

- 기능상 유해한 BURR 및 미성형이 없을것.
- 상대 HOUSING PART NO. : MG653033
- 적용 TERM' : ST740771 / ST740959

NOTE

- MUST BE FREE OF BURR, WELDLINE AND IMPERFECTION THAT AFFECT FUNCTION.
- APPLICABLE HOUSING : MG653033
- APPLICABLE TERMINAL : ST740771 / ST740959



APPROVED
2017-08-10
KOREA ELECTRIC
TERMINAL CO., LTD.
Connector Development Team 1

ISSUE MARK

						MATERIAL	SEE TABLE	KET KOREA ELECTRIC ENGINEERED TERMINAL CO., LTD.
						FINISH	SEE TABLE	
						WIRE RANGE		CLASS 040III
						INSULATION		TYPE
⚠	R/H 체결 LOCK 높이 증대 (ECO-1406-012) 근거	ASY	HYJ	HJB	14.06.03	TOLERANCE EXCEPT AS NOTED	SCALE 2/1	PART NO. MG643030
LTR	REVISION RECORD	DR.	CHK.	APP.	DATE	SEE TABLE		
DR.	KYM 2004.01.30	CHK.				PART NAME		040III 24P MALE ASS'Y
CHK.	01.30	APP.						