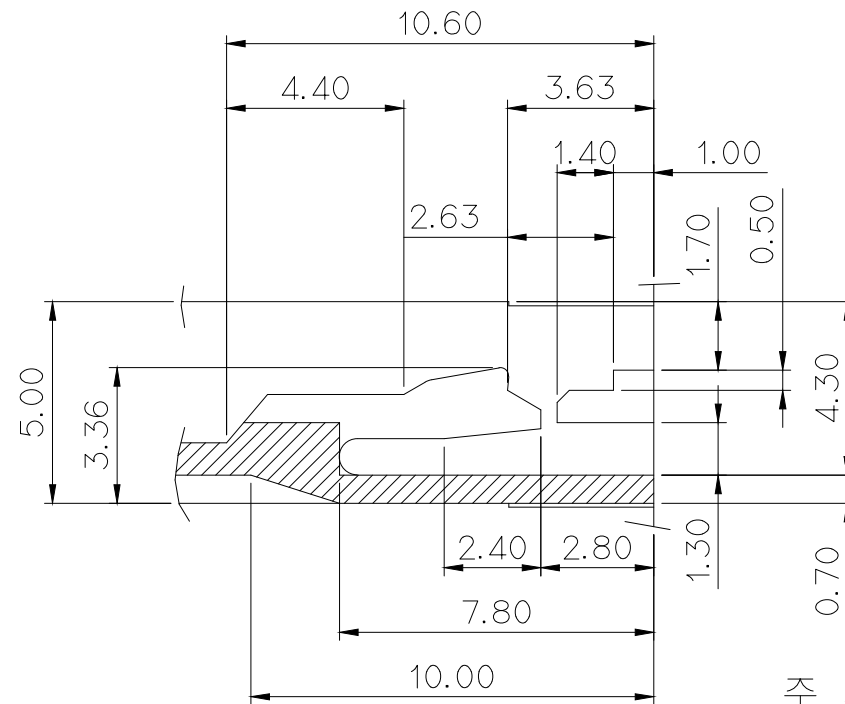


SECTION A-A

NOTE

- MUST BE FREE OF FLASH, SINK AND IMPERFECTION THAT AFFECT FUNCTION.
- APPLICABLE CONNECTOR: MG610054
- APPLICABLE TERMINAL: ST740367,368
- 6 HAZARDOUS SUBSTANCES IN PARTS (LEAD, MERCURY, CADMIUM, HEXAVALENT CHROMIUM, PBDEs) SHALL NOT EXCEED THE MAXIMUM PERMISSIBLE CONCENTRATION PRESCRIBED UNDER EU ELV DIRECTIVE.

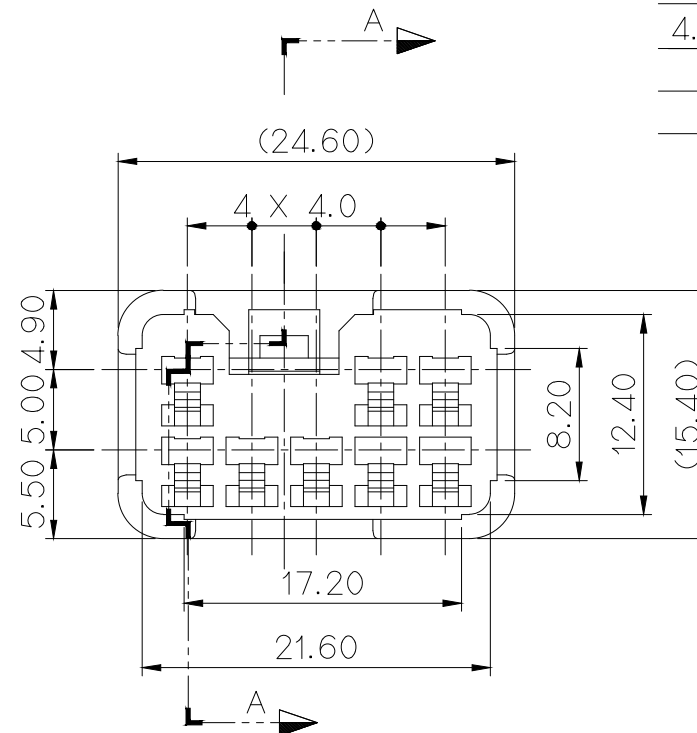
GENERAL TOLERANCE (HOUSING)									USED ON
10MAX	30MAX	50MAX	70MAX	100MAX	120MAX	250MAX	250VR	ANGLE	
±0.15	±0.20	±0.30	±0.40	±0.50	±0.75	±0.9	±1.4	±30'	



DETAIL B (5/1)

주 기

- 기능상 유해한 BURR 및 변형등이 없을것.
- 적용 HOUSING : MG610054
- 적용 TERMINAL : ST740367,368
- 제품내 함유된 6대 유해물질 (납, 수은, 카드뮴, 6가 크롬, PBBs, PBDEs)은 EU ELV 지침 및 RoHS 법규에서 지정한 최대 허용 농도를 초과해서는 안된다.



**APPROVED**  
2018-12-10  
KOREA ELECTRIC  
TERMINAL CO., LTD.  
Korea Electric Terminal Co., LTD.

ISSUE MARK

					MATERIAL	NYLON	<b>KET</b> KOREA ELECTRIC ENGINEERED TERMINAL CO., LTD.
					FINISH	NATURAL	
					WIRE RANGE	CLASS	
					INSULATION	TYPE 7122-148U	
△	치수 및 치수선 정정 2곳				TOLERANCE EXCEPT AS NOTED	±0.3	SCALE 2/1
LTR	REVISION RECORD	DR.	CHK.	APP.	DATE	PART NO.	MG620053
		DR.	CHK.			PART NAME	2.3mm REC HSG 8P
	CHK. JWK		APP. Watanabe				