

△ NO.	MATERIAL	COLOR
* 0	PA6T	NATURAL
1		RED
2		BLUE
20		JADE
3		YELLOW
4		GRAY
40		DARK GRAY
41		LIGHT GRAY
5		BLACK
6		DARK GREEN
7		BROWN
8	LIGHT GREEN	
9	MAGENTA	
11	ORANGE	

GENERAL TOLERANCE (HOUSING)							USED ON
10MAX	50MAX	100MAX	250MAX	250VR	ANGLE	ECCENT	
±0.2	±0.3	±0.55	±0.95	±1.4	±30'	0.1	

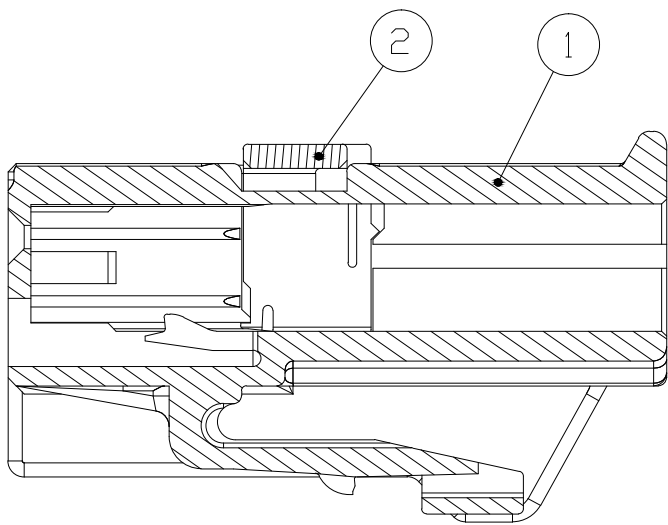
NO.	PART NAME	PART NO.	MATERIAL	COLOR
①	T375 1F HOUSING	MG673763	△SEE TABLE	△SEE TABLE
②	T375 SIDE HOLDER	MG673764	PA6T	NATURAL

주 기

1. 기능상 유해한 BURR 및 WELDLINE 등이 없을 것.
- △ 2. 적용 TERMINAL : 7116-3095-02  
적용 CONNECTOR : MG643765
3. 제품내 함유된 6대 유해물질 (납,수은,카드뮴,6가크롬, PBBs,PBDEs)은 EU ELV 지침 및 RoHS 법규에서 지정한 최대 허용 농도를 초과해서는 안된다.

NOTE

1. MUST BE FREE OF FLASH, WELDLINE AND IMPERFECTION THAT AFFECT FUNCTION.
- △ 2. APPLICABLE TERMINAL : 7116-3095-02  
APPLICABLE CONNECTOR : MG643765
3. 6 HAZARDOUS SUBSTANCES IN PARTS (LEAD, MERCURY, CADMIUM, HEXAVALENT CHROMIUM, PBBs, PBDEs) SHALL NOT EXCEED THE MAXIMUM PERMISSIBLE CONCENTRATION PRESCRIBED UNDER EU ELV DIRECTIVE & RoHS REGULATION.



SECTION A-A

APPROVED

2018-12-11

KOREA ELECTRIC  
TERMINAL CO., LTD.  
Korea Electric Te  
rminal Co., LTD.

ISSUE MARK

						MATERIAL	SEE TABLE	KOREA ELECTRIC TERMINAL CO., LTD.	
						FINISH	SEE TABLE		
△ 1	ECO-1811-436에 근거 도면 제작상	STJ	HYJ	CJH	18.11.27	WIRE RANGE		CLASS	HEV
△ 0	Released	J.H	H.S	K.H	06.09.13	INSULATION		TYPE	
LTR	REVISION RECORD	DR.	CHK.	APP.	DATE	TOLERANCE EXCEPT AS NOTED	SEE TABLE	SCALE	2/1
	DR. Hyuk'S 2006.09.13		CHK.			PART NO.			MG653762
	CHK. hs Bae 2006.09.13		APP.	H Kim 2006.09.13		PART NAME			T375 1F ASS'Y