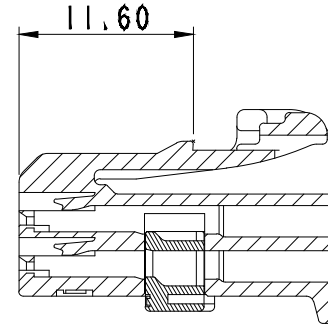
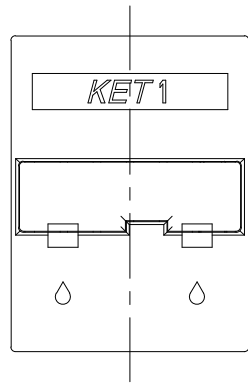
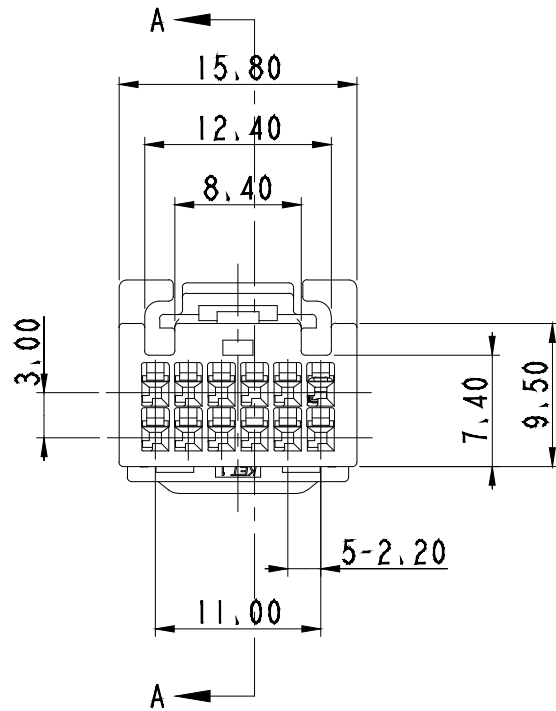
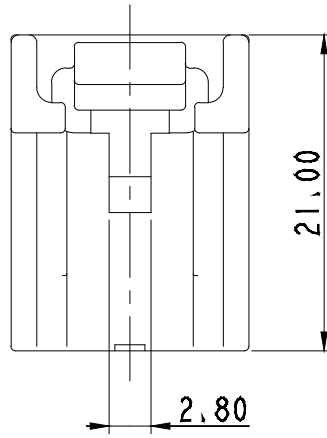
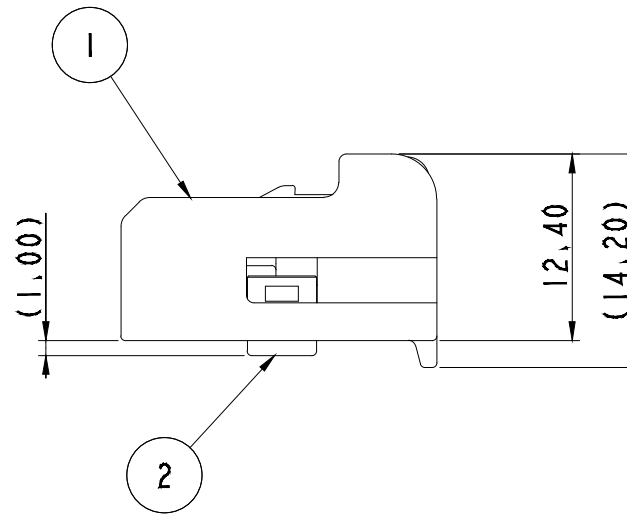


ISO VIEW
SCALE 1/1



SECTION A-A



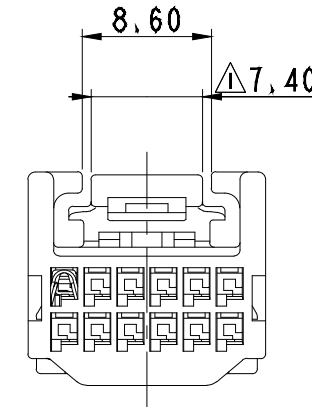
GENERAL TOLERANCE (HOUSING)

10 MAX	50 MAX	100 MAX	250 MAX	250 VR	ANGLE	ECCENT	USED ON
±0.2	±0.3	±0.55	±0.95	±1.4	±30'	0.1	

NOTE

- MUST BE FREE OF BURR, WELDLINE AND IMPERFECTION THAT AFFECT FUNCTION.
- APPLICABLE TERMINAL : ST731374-3, 375-3
APPLICABLE HOUSING : MG646036-5
- 6 HAZARDOUS SUBSTANCES IN PARTS (LEAD, MERCURY, CADMIUM, HEXAVALENT CHROMIUM, PBBs, PBDEs) SHOULD NOT EXCEED THE MAXIMUM PERMISSIBLE CONCENTRATION PRESCRIBED UNDER EU ELV DIRECTIVE & RoHS REGULATION.

NO.	MATERIAL	COLOR
* 0	PBT	NATURAL
1		RED
2		BLUE
20		JADE
3		YELLOW
4		GRAY
40		DARK GRAY
41		LIGHT GRAY
5		BLACK
6		DARK GREEN
7		BROWN
8	LIGHT GREEN	
9	MAGENTA	
11	ORANGE	



주 기

- 기능상 유해한 BURR 및 WELDLINE 등이 없을 것,
- 적용 TERMINAL : ST731374-3, 375-3
적용 HOUSING : MG646036-5
- 제품 내 함유된 6대 유해물질(납, 수은, 카드뮴, 6가크롬, PBBs, PBDEs)은 EU ELV 지침 및 RoHS 법규에서 지정한 최대 허용농도를 초과해서는 안된다.

APPROVED

2019-11-06

KOREA ELECTRIC
TERMINAL CO., LTD.
Korea Electric Te
rminal Co., LTD.

ISSUE MARK

NO	PART NAME	PART NO	METERIAL	FINISH	QTY.
1	02511 12F HOUSING	MG676815	PBT	NATURAL	1
2	02511 12F SPACER	MG676816-3		YELLOW	1

MATERIAL	SEE TABLE	KET ENGINEERED	KOREA ELECTRIC TERMINAL CO., LTD.
FINISH	SEE TABLE		
WIRE RANGE		CLASS	02511
INSULATION		TYPE	비방수
LTR	REVISION RECORD	DR.	CHK.
DR.	MSJ '16, 11, 04	CHK.	SSH '16, 11, 10
CHK.		APP.	BIN '16, 11, 10
TOLERANCE EXCEPT AS NOTED	SEE TABLE	SCALE	2/1
PART_NAME	02511 12F ASSY		