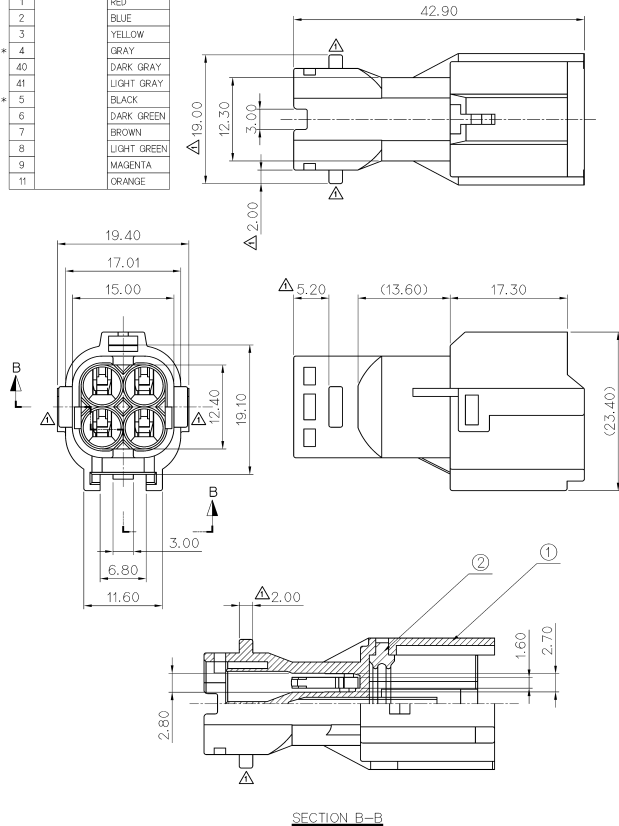
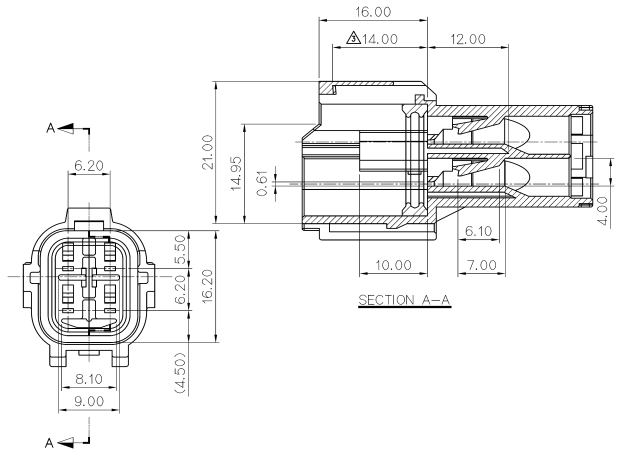


NO.	MATERIAL	COLOR
0	P B T	NATURAL
1		RED
2		BLUE
3		YELLOW
4		GRAY
40		DARK GRAY
41		LIGHT GRAY
5		BLACK
6		DARK GREEN
7		BROWN
8		LIGHT GREEN
9	MAGENTA	
11	ORANGE	



GENERAL TOLERANCE (HOUSING)								USED ON
10MAX	50MAX	100MAX	250MAX	250VR	ANGLE	ECCENT		
±0.2	±0.3	±0.55	±0.95	±1.4	±30'	0.1		

NO.	PART NAME	PART NO.	MATERIAL	COLOR	QTY.	REMARKS
1	SWP HOUSING REC. 4P	MG670332	PBT	SEE TABLE	1	
2	SWP INNER SEAL 4P	P900442	SILICONE RUBBER	RED	1	



주 기

- 제품기능상 유해한 BURR,변형 및 WELDLINE등이 없을것.
- 적용 TERMINAL : ST740482, 483
- 적용 HOUSING : MG610331
- 적용 REAR HOLDER : MG630334
- KET 문자, CAVITY NO. : ♀ TYPE, 구배 15°

ISSUE MARK

					MATERIAL	SEE TABLE	KET KOREA ELECTRIC ENGINEERING TERMINAL CO., LTD.
					FINISH	SEE TABLE	
△ 설계사양변경 (S0800023) 근거	CYJ	4/1	'08.01.30		WIRE RANGE		CLASS
△ 도면 변경에 의한 재작성 → REVISION RECORD	LMA	MKNC	'05.06.02		INSULATION		TYPE 7222-7444
	DR	CHK	APP.	DATE	SEE TABLE	SCALE 2/1	PART NO. MG640333
LTR	REVISION RECORD	DR	CHK	APP.	DATE	SCALE	PART NO.
DR	경	'91.10.07	CHK		PART NAME		SWP 4M ASSY
CHK	S w p k		APP.				