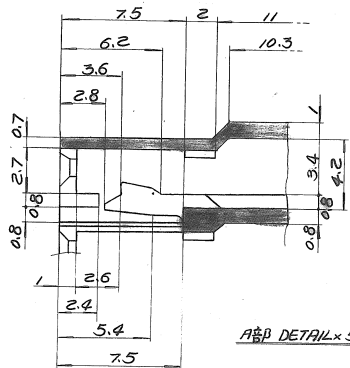
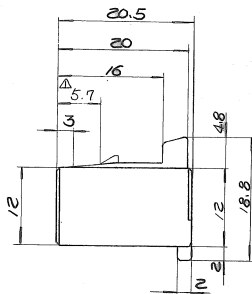
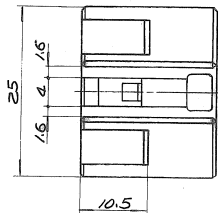


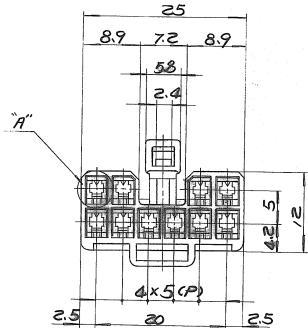
단위 : DIMENSIONS IN MM

SERIAL NUMBER
ME610056

USED ON
ME620055



A-B DETAIL x 5



CUSTOMER DRAWING

		재 (MATERIAL):	NYLON	KET KOREA ELECTRIC TERMINAL CO., LTD.
		표면처리 (FINISH):	NATURAL	
		선단양극 (WIRE RANGE):		종 (CLASS):
		재외경 (INSULATION DIA):		형식 (TYPE):
△ 2009.03.05 (2009.03.05)		DR.	CHK	DATE
LTR	2 (REVISION RECORD):	DR.	CHK	DATE
DR.	2009.03.05	CHK	2009.03.05	
CHK	W. Kim	APR		
		비율 (SCALE):	2.3 mm	도면 (NO.):
		명칭 (NAME):	PLUG	ME610056
		HSG. 10P		