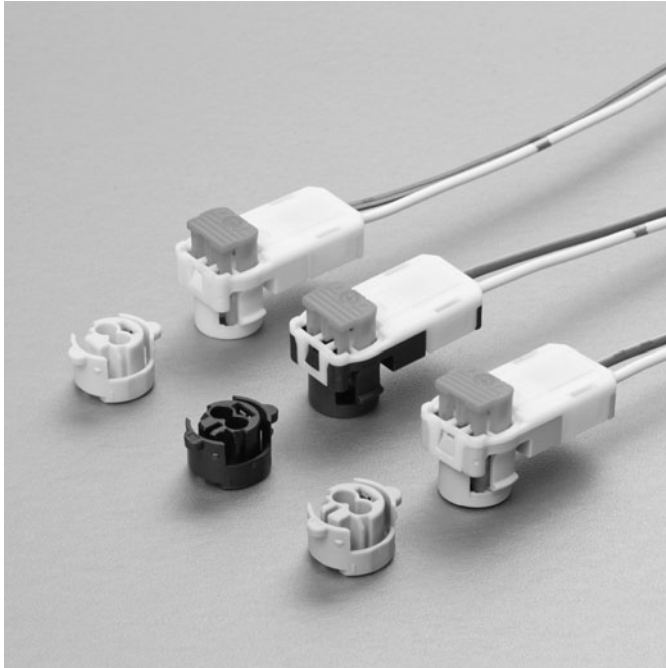


# SQXW CONNECTOR

## Squib connectors



Conforming to ISO 19072-4.

### Features

#### ● Inertial Locking

Intelligent CPA enables connector locking, prevent incomplete mating and release of short circuit at the same time.

#### ● Interface and Performance

Mated with retainer designed by ISO 19072-4.  
Connector performance satisfies ISO 19072-2.

#### ● Stability of Electrical Connection

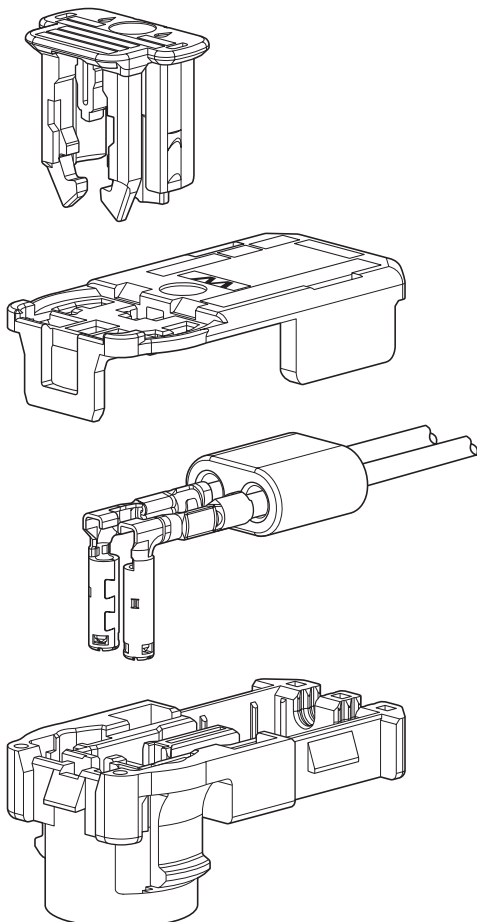
Terminal has three contact points.  
Prevent the deformation of contact area by covering ferrule to contact spring.

#### ● Noise Suppression

Ferrite core provides simple and reliable noise suppression characteristics.

#### ● CPA

The upper part of CPA is made as large as possible and the shape which fits fingers well contributes to efficient work.  
4mm stroke provides recognition of the CPA position.

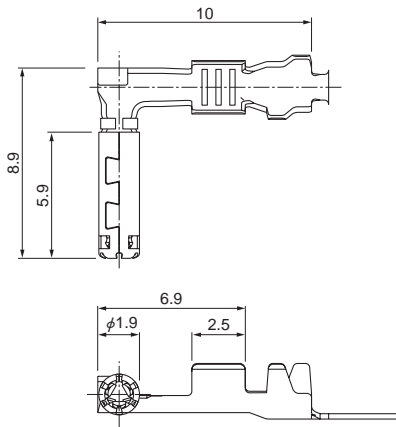


### Specifications

- Current rating: 3 A AC, DC max.
- Temperature range: -40°C to +85°C  
(including temperature rise in applying electrical current)
- Insulation resistance: 100 MΩ min.
- Applicable Wire: AVSS  
0.3 mm<sup>2</sup>, 0.5 mm<sup>2</sup>  
FLRY-A  
0.35 mm<sup>2</sup>, 0.5 mm<sup>2</sup>

- \* Compliant with ELV/RoHS.
- \* Contact JST for details.

## Female terminal

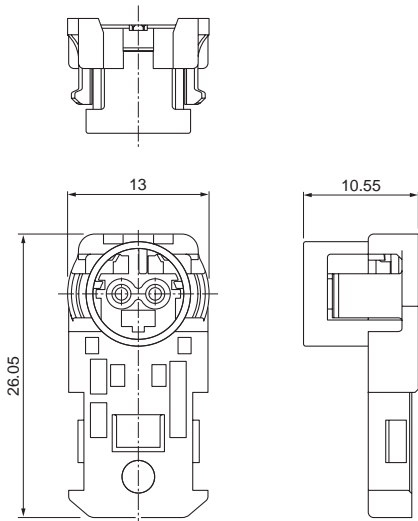


| Model No.              | Applicable wire range        |                      | Q'ty/reel |
|------------------------|------------------------------|----------------------|-----------|
|                        | Conductor (mm <sup>2</sup> ) | Insulation O.D. (mm) |           |
| <b>SSQSK-A03GJ-P-R</b> | 0.3 to 0.5                   | 1.0 to 1.6           | 5,000     |
| <b>SSQSK-A03GJ-P-L</b> | 0.3 to 0.5                   | 1.0 to 1.6           | 5,000     |

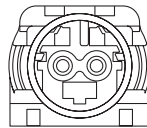
### Material and Finish

Copper alloy, nickel-undercoated,  
Contact area; gold-plated (0.8μm min.)  
Barrel area; tin-plated

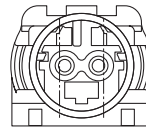
## Female housing



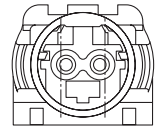
### • Keying figure



**Icode**



**IIcode**



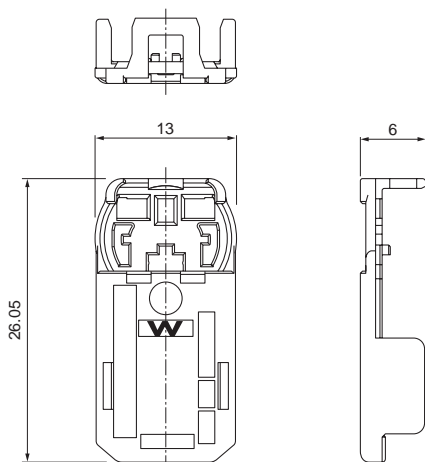
**IIIcode**

| Circuits | Model No.             | Keying figure | Q'ty/box | Color       |
|----------|-----------------------|---------------|----------|-------------|
| 2        | <b>SQXR-02H-2A-K</b>  | I code        | 500      | Black       |
|          | <b>SQXR-02H-2B-LM</b> | II code       | 500      | Light green |
|          | <b>SQXR-02H-2C-Y</b>  | III code      | 500      | Yellow      |

### Material

Glass-filled PBT

## Cover housing



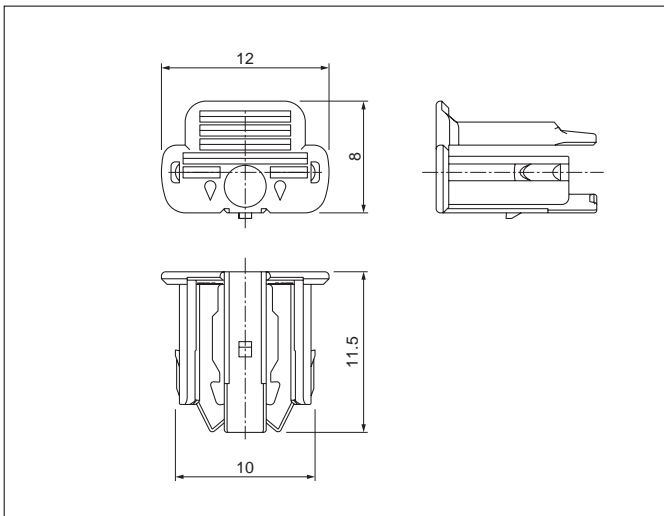
| Circuits | Model No.            | Q'ty/bag | Color  |
|----------|----------------------|----------|--------|
| 2        | <b>SQXL-02H-1W-Y</b> | 500      | Yellow |

### Material

Glass-filled PBT

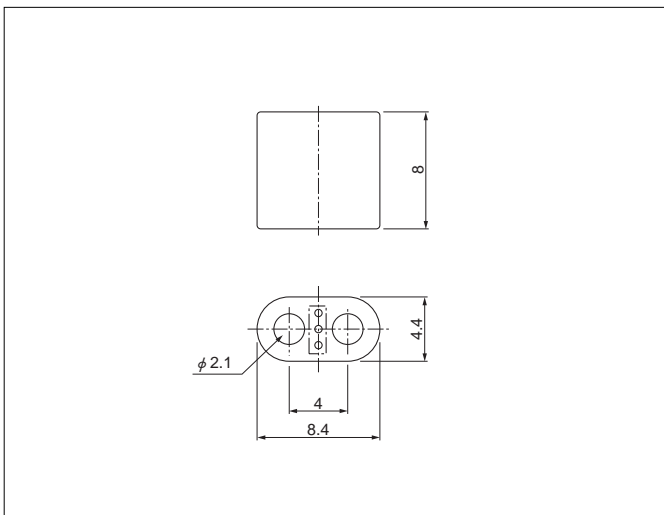
# SQXW CONNECTOR

## CPA housing



| Circuits         | Model No.            | Q'ty/bag | Color  |
|------------------|----------------------|----------|--------|
| 2                | <b>SQXC-02H-1W-D</b> | 1,000    | Orange |
| Material         |                      |          |        |
| Glass-filled PBT |                      |          |        |

## Ferrite



| Circuits | Model No.         | Q'ty/box |
|----------|-------------------|----------|
| 2        | <b>SQXF-02-1A</b> | 1,000    |

## Crimping machine, Applicator

| Strip terminal         | Crimping machine | Crimp applicator MKS-L |                            |
|------------------------|------------------|------------------------|----------------------------|
|                        |                  | Dies                   | Crimp applicator with dies |
| <b>SSQSK-A03GJ-P-R</b> | AP-K2N           | MK/SSQSK-A03-P         | APLMK SSQSK-A03-P          |
| <b>SSQSK-A03GJ-P-L</b> |                  |                        |                            |

Note: When crimping operation is conducted using an applicator and die set other than the above, JST cannot guarantee the performance of the terminal.