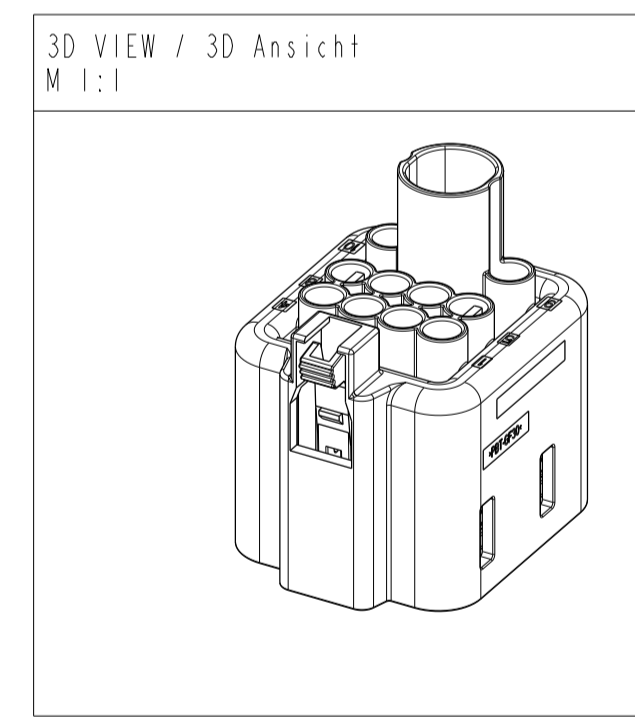
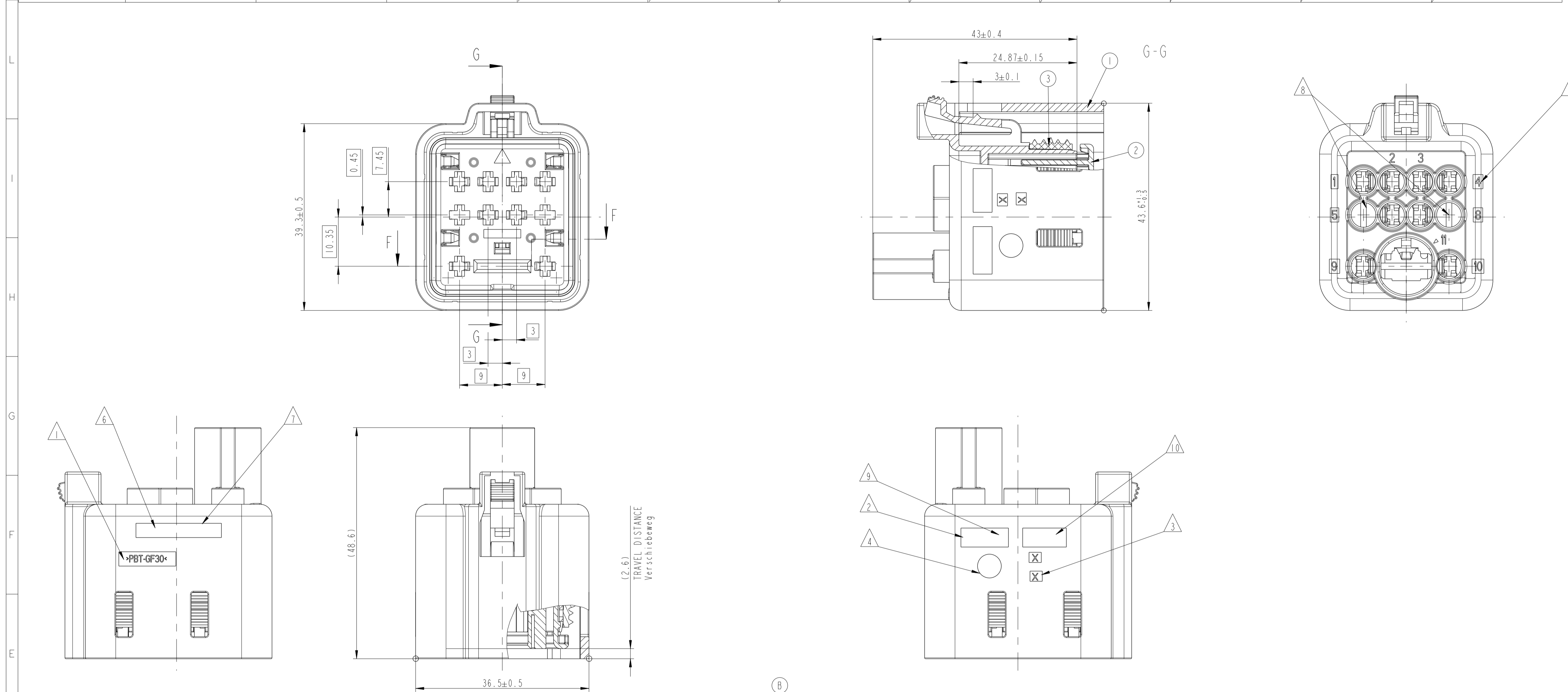


FCI- PART-NO. FCI-Teile-Nr.	F875110	3 043 30 01	3 043 34 01	F383310	TBD	TBD	TBD	TBD	TBD	TBD	TBD
CLOSED CAVITY Verschlossene Kammer	5, 8	1, 7	-	2, 3, 5, 8	3, 5, 8	5, 8, 9	9	8	4, 5, 8, 9	4, 5, 8	3, 4, 5, 8
M 1:1											

1	MATERIAL IDENTIFICATION CODE ACC. VDA260 Materialkennzeichnung nach VDA260
2	FCI COMPANY LOGOTYPE FCI Firmenlogo
3	CAVITY MARK 1,2,3... Nesmarkierung 1,2,3...
4	DATA CLOCK Datumsuhr
5	CAVITY-NO. Kammernummerierung
6	FCI ASSEMBLY PART-NO. FCI Bauteil-Nr.
7	ASSEMBLY INDEX Baugruppenindex
8	CLOSED CAVITY ACC TABLE geschlossene Kammer nach Tabelle
9	MANUFACTURE CODE Herstellcode
10	COUNTRY OF MANUFACTURE (AUSTRIA) Herstellland (Austria)
11	ONLY THE GERMAN LANGUAGE SHALL BE BINDING Nur der deutsche Text ist bindend
12	MAXIMUM MATING FORCE = 170N; VALIDATION ACC. AK, SEE PRODUCT SPEC. 9 901 22 70 Maximum Steckkraft = 170N; Validierung nach AK, siehe Produkt Spez. 9 901 22 70
13	CROSSED VERSION AS REQUEST AVAILABLE Durchgestrichene Variante auf Anfrage verfuegbar
14	SHOWN IS VERSION F875110 Dargestellt ist Version F875110



FCI- PART-NO. FCI-Teile-Nr.	TITLE Benennung	REV. INDEX	ITEM Position	NAME Benennung	MATERIAL	COLOR Farbe	CLOSED CAVITY geschlossene Kammer	COUNTER PART Gegensueck
F383310	FEMALE HOUSING 7 WAY Flachkontaktgeh. 7 polig	A	3	SEAL Dichtung	SILICON	GREEN gruen	2, 3, 5, 8	
			2	TPA Kontaktsicherung	PBT	GREEN gruen		
			1	HOUSING 7-WAY Gehaeuse 7 - pol.	PBT GF30	BLACK schwarz		
3 043 34 01	FEMALE HOUSING 11 WAY Flachkontaktgeh. 11 polig	C	3	SEAL Dichtung	SILICON	GREEN gruen		
			2	TPA Kontaktsicherung	PBT	VIOLET violett		
			1	HOUSING 11-WAY Gehaeuse 11 - pol.	PBT GF30	BLACK schwarz		
3 043 30 01	FEMALE HOUSING 9 WAY Flachkontaktgeh. 9 polig	C	3	SEAL Dichtung	SILICON	GREEN gruen	1, 7	
			2	TPA Kontaktsicherung	PBT	VIOLET violett		
			1	HOUSING 9-WAY Gehaeuse 9 - pol.	PBT GF30	BLACK schwarz		
F875110	FEMALE HOUSING 9 WAY Flachkontaktgeh. 9 polig	A	3	SEAL Dichtung	SILICON	GREEN gruen	5, 8	
			2	TPA Kontaktsicherung	PBT	GREEN gruen		
			1	HOUSING 9-WAY Gehaeuse 9 - pol.	PBT GF30	BLACK schwarz		

DESCRIPTION Benennung	FCI PART-NO. FCI Teilnr.	CAVITY-NO. Kammer Nr.	WIRE CROSS SECTION (mm²) Leitungsquerschnitt(mm²)	WIRE VERSION Leitungstyp DIN 72551-6	FOR INSULATION Ø (mm) fuer Isolations Ø (mm)	FCI PART-NO. FCI Teilnr.	COLOR Farbe	CRIMP SPEC.	
DCS1 9.5mm FEMALE TERM.	Ag VERSIONS	6 007 02 72	10.00	FLY	5.40 - 6.60	6 099 33 04	YELLOW Gelb	90840500	
		6 007 02 72	8.00	FLRY	5.1 - 5.3	6 099 33 03	RED Rot		
		6 007 02 62	5.00 - 6.00	FLRY	4.0 - 5.20	6 099 33 01	BLACK schwarz		
		6 007 02 52	>2.50-4.00	FLRY	3.40 - 4.40	6 099 33 08	GREEN Gruen		
		6 001 02 71	10.00	FLY	5.40 - 6.60	6 099 33 04	YELLOW Gelb		
		6 007 02 71	8.00	FLRY	5.1 - 5.3	6 099 33 03	RED Rot		
	Ag VERSIONS	6 007 02 61	5.00 - 6.00	FLRY	4.0 - 5.20	6 099 33 01	BLACK schwarz		
		6 007 02 51	>2.50-4.00	FLRY	3.40 - 4.40	6 099 33 08	GREEN Gruen		
		6 001 40 42	2.50	FLRY	2.7 - 3.0	6 099 40 34	YELLOW Gelb		9 084 11 00
		6 001 40 32	1.50-2.00	FLRY	2.0 - 2.7	6 099 40 23	RED-BROWN Rot-Braun		
		6 001 40 12	0.50-1.00	FLRY	1.20 - 2.00	6 099 40 15	BLUE blau		
		6 001 29 41	>0.2 - 0.35	FLRY	1.20 - 2.00	6 099 40 15	BLUE blau		
6 001 29 31	2.50	FLRY	2.7 - 3.0	6 099 40 34	YELLOW Gelb				
6 001 29 11	1.50-2.00	FLRY	2.0 - 2.7	6 099 40 23	RED-BROWN Rot-Braun				
BLIND PLUG Blindstopfen	-	-	-	-	-	6 099 40 07	GREEN gruen		

12-00434	M5-16 AD5-11	table with versions added; Ag terminals added	CHANGE DESCRIPTION AENDERUNGSBESCHREIBUNG
548/11	-	initial release	
ECN-NO. EKN-NUMMER	POSITION POSITION	THIS DRAWING AND ALL OTHER INFORMATION CONTAINED THEREIN IS PROPRIETARY AND THE PROPERTY OF FCI. This drawing may not be copied, reproduced or disclosed to any third party without the express written permission of FCI. © FCI April 1999	
PROJECT SPEC. PROJEKT-SPEZ.	PACKAGING SPEC. VERPACKUNGS-SPEZ.	APPLICATION SPEC. ANWENDUNGS-SPEZ.	DO NOT REPRODUCE DRAWING ZIECHUNG NICHT VERMEIDEN
9 901 22 70	-	9 902 21 10	
TOLERANCES TOLERANZEN	±0.1 ±0.2	MATERIAL MATERIAL	SURFACE FINISH OBERFLAECHE
CONTRACT NO. VERTRAG-NR.	DATE DATUM	NAME NAME	STATUS STATUS
ISSUED BY GEPRUEFT VON	DATE DATUM	NAME NAME	REV. REV.
APPROVED BY GEBILDIGT VON	DATE DATUM	NAME NAME	INDEX INDEX
FILE NAME DOK.-NAM.	DATE DATUM	NAME NAME	SCALE MASSSTAB
PCC0754109	20190915	M SCHINDHELM	A 1
NW FEMALE SEALED CONNECTOR		DRAWING NUMBER ZEICHN.-NUMMER	
9WAY RELAY CONNECTOR		PCC0754109	
SERIAL RELEASED		REV. INDEX	
See Table		A 1	

EUR. CON. 112 FEB 93