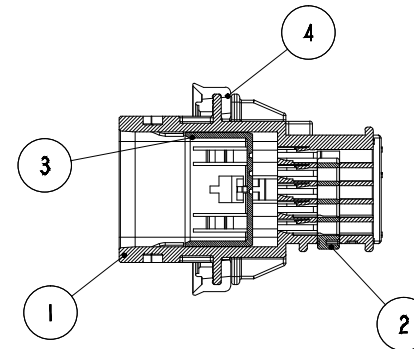
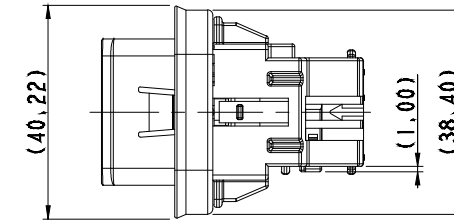
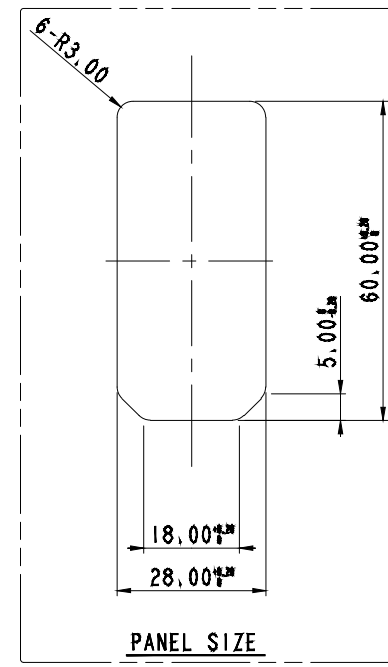
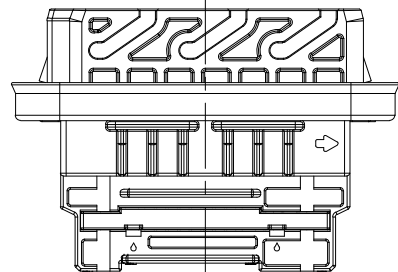
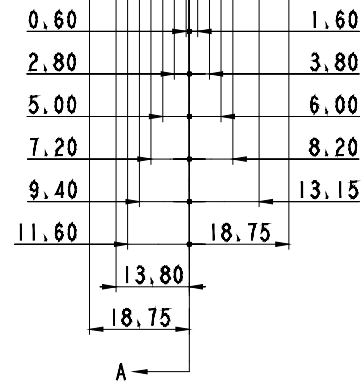
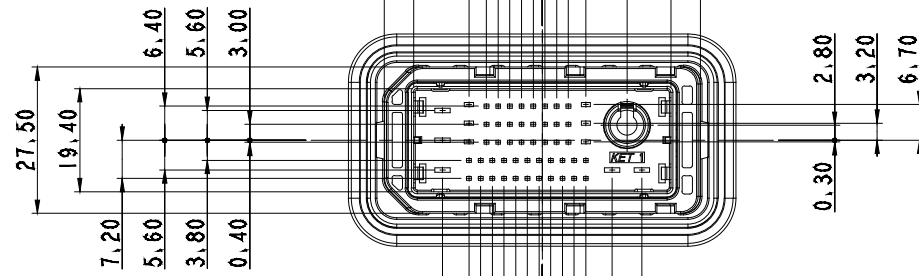
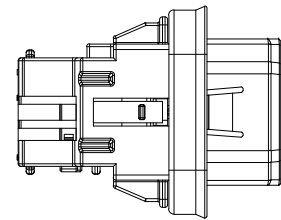
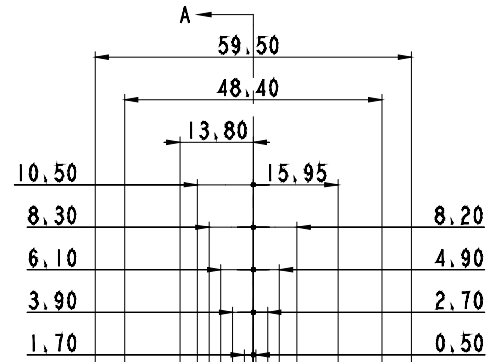
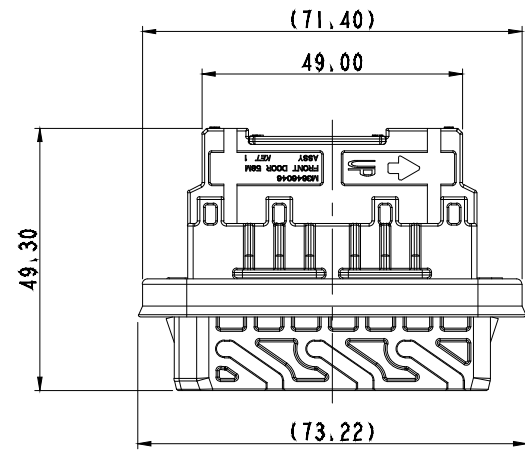


ISO VIEW

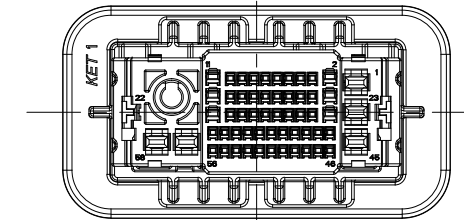


SECTION A-A

GENERAL TOLERANCE (HOUSING)										USED ON
10 MAX	30 MAX	50 MAX	70 MAX	100 MAX	120 MAX	250 MAX	250 VR	ANGLE	ECCENT	
±0.15	±0.2	±0.3	±0.4	±0.5	±0.75	±0.9	±1.4	±30'	0.1	

- 주  
 1. 기능상 유해한 BURR 및 WELDLINE 등이 없을 것.  
 2. 적용 TERMINAL(C025) : ST741360-3, ST741361-3  
 적용 TERMINAL(C060) : ST741362-3, ST741363-3, ST741364-3  
 적용 TERMINAL(N110) : ST741367-3, ST741368-3, ST741369-3  
 적용 TERMINAL(FAKRA) : KR30201-20, KR00404-20, KR30301-20  
 적용 CONNECTOR : MG656881  
 3. PANEL 두께 : 0.70mm~0.75mm  
 4. 제품내 함유된 6대 유해물질 (납,수은,카드뮴, 6가크롬, PBBs, PBDEs)은 EU ELV 지침 및 RoHS 법규에서 지정한 최대 허용 농도를 초과해서는 안된다.

- NOTE  
 1. MUST BE FREE OF BURR, WELDLINE AND IMPERFECTION THAT AFFECT FUNCTION.  
 2. APPLICABLE TERMINAL(C025) : ST741360-3, ST741361-3  
 APPLICABLE TERMINAL(C060) : ST741362-3, ST741363-3, ST741364-3  
 APPLICABLE TERMINAL(N110) : ST741367-3, ST741368-3, ST741369-3  
 APPLICABLE TERMINAL(FAKRA) : KR30201-20, KR00404-20, KR30301-20  
 APPLICABLE CONNECTOR : MG656881  
 3. PANEL THICKNESS : 0.70mm~0.75mm  
 4. 6 HAZARDOUS SUBSTANCES IN PARTS (LEAD, MERCURY, CADMIUM, HEXAVALENT CHROMIUM, PBBs, PBDEs) SHALL NOT EXCEED THE MAXIMUM PERMISSIBLE CONCENTRATION PRESCRIBED UNDER EU ELV DIRECTIVE & RoHS REGULATION.



NO.	MATERIAL	COLOR
0	PBT	NATURAL
1		RED
2		BLUE
20		JADE
3		YELLOW
4		GRAY
40		DARK GRAY
41		LIGHT GRAY
* 5		BLACK
6		DARK GREEN
7		BROWN
8	LIGHT GREEN	
9	MAGENTA	
11	ORANGE	

**REVIEW**  
 2018-04-05  
 KOREA ELECTRIC TERMINAL CO., LTD.  
 Korea Electric Terminal Co., LTD.

ISSUE MARK

NO.	PART NAME	PART NO.	MATERIAL	COLOR	Q'TY
1	025060110 FAKRA FRONT DOOR 58M HSG	MG677090-5	SEE TABLE	SEE TABLE	1
2	025060110 FAKRA FRONT DOOR 58M SPACER	MG677091-41	PBT	L/GRAY	1
3	025060110 FAKRA FRONT DOOR 58M PLATE	MG677092	POM	NATURAL	1
4	025060110 FAKRA FRONT DOOR 58M GASKET SEAL	R603614	EPDM	BLACK	1

MATERIAL	SEE TABLE	KOREA ELECTRIC TERMINAL CO., LTD.		
FINISH	SEE TABLE			
WIRE RANGE	CLASS 025/060/110/FAKRA			
INSULATION	TYPE 비병수			
LTR	REVISION RECORD	DR, CHK, APP, DATE	SCALE 1/1	PART NO. MG646046
DR, JY, K 2018.01.03	CHK,			
CHK, WDH 2018.01.03	APP, CMS 2018.01.03			PART_NAME 025060110 FAKRA FRONT DOOR 58M ASSY